



STAINLESS STEEL
DROP-IN SINKS
Three Compartments

**For
 General Purpose
 Use!**
 Includes Faucet & Drain

Item #: _____ *Qty #:* _____
Model #: _____
Project #: _____



DI-3-10



DI-3-1612



DI-3-1410

FEATURES:

One piece seamless **Deep Drawn** sink bowl design.
 All sink bowls have a large liberal radii with a minimum dimension of 2" and are rectangular in design for increased capacity.
 Self-Rim Design. Mounting hardware is provided. For counters over 7/8" and up to 1-1/2" thick, please order Thick-Counter Mounting Clips for Drop-In Sinks, **Model # K-28 Per Sink**. (Quantity supplied varies based on drop in sink ordered).
 Includes 4" O.C. **K-50** faucet & basket drain.

CONSTRUCTION:

Bowls fabricated from one sheet of stainless steel.
 All bowls are Sound Deadened.
 Units feature Advance Tabco's **Smart Finish™**.

MECHANICAL:

Faucet supply is 1/2" IPS male thread.
 Deck mounted faucets are furnished with aerator.

MATERIAL:

18 gauge type 304 series stainless steel (DI-3-10 is 20 gauge).
 Faucets are brass-nickel plated.
 Stainless Steel 1-1/2" IPS basket drain.

Standard
 Mounting Clips
 For Countertops
 7/8" Thick or Less
 (Included)



K-28 (Per Sink)
 Mounting Clips
 For Countertops
 Over 7/8" Thick
 (Maximum of 1 1/2")



Available Faucets & Accessories	Model #	Qty
Deck Mounted 8" Swing Spout. 4" O.C.	K-50	
Deck Mounted 12" Swing Spout. 4" O.C.	K-53	
Deck Mounted 8 1/2" Large Gooseneck. 4" O.C.	K-55	
Deck Mounted Swing w/Spray. 8" O.C.*	K-58	
Thick-Counter Mounting Clips for Countertops over 7/8" and up to 2". (Qty. supplied varies based on sink ordered)	K-28	

*REQUIRES **K-472** FAUCET HOLE REVISION

**FOR REPLACEMENT FAUCET, DRAINS
 AND ACCESSORIES, SEE SECTION G**



NEW YORK
 (800) 645-3166
 Fax: (631) 242-6900

GEORGIA
 (800) 832-1218
 Fax: (770) 775-5625

TEXAS
 (800) 527-0353
 Fax: (972) 932-4795

NEVADA
 (800) 446-8684
 Fax: (775) 972-1578

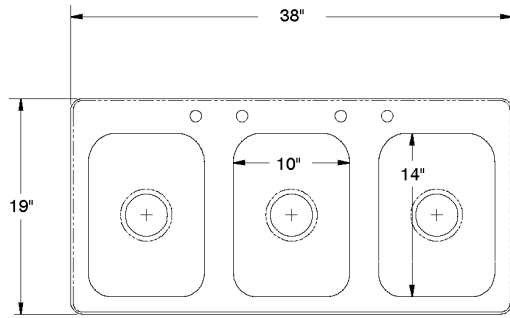
DIMENSIONS and SPECIFICATIONS

TOL ± .125"

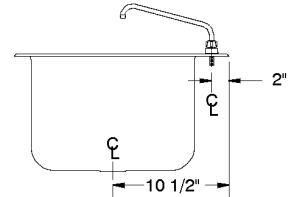
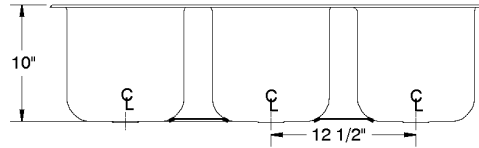
Supplied with Two K-50 Faucets & K-6 Basket Drain

ALL DIMENSIONS ARE TYPICAL

DI-3-10

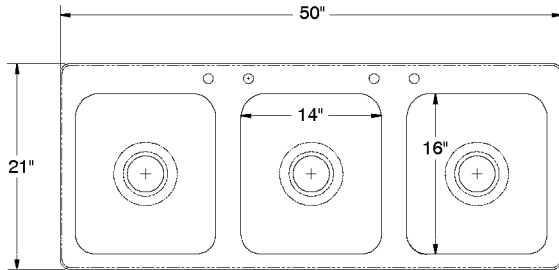


Cut-Out Size
37 1/4" x 18 1/4"
1 1/4" radius corners

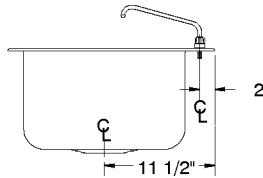
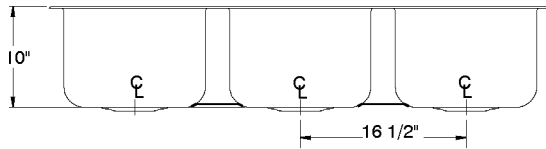


Approx. Wt. 34 lbs.

DI-3-1410

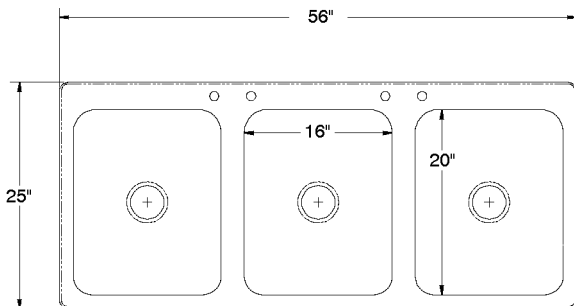


Cut-Out Size
49 1/4" x 20 1/4"
1 1/4" radius corners

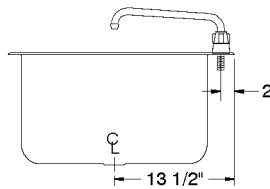
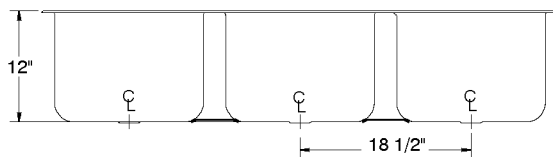


Approx. Wt. 50 lbs.

DI-3-1612

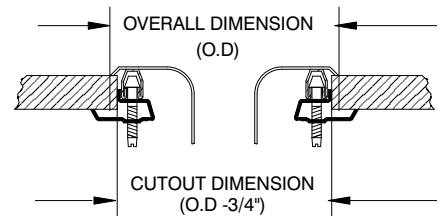


Cut-Out Size
55 1/4" x 24 1/4"
1 1/4" radius corners



Approx. Wt. 60 lbs.

TYPICAL INSTALLATION



Cut-Out Size = L to R x F to B

