



STAINLESS STEEL  
**DROP-IN SINKS**  
**One Compartment**

**For Hand Sink Use!**  
**Includes Gooseneck Faucet & Drain**

*Item #:* \_\_\_\_\_ *Qty #:* \_\_\_\_\_  
*Model #:* \_\_\_\_\_  
*Project #:* \_\_\_\_\_



DI-1-5



DI-1-5SP



DI-1-10

**New 6"  
 Rear & Side  
 Splash**



DI-1-25



DI-1-10SP



DI-1-35

**FEATURES:**

One piece seamless **Deep Drawn** sink bowl design. All sink bowls have a large liberal radii with a minimum dimension of 2" and are rectangular in design for increased capacity.

Self-Rim Design. Mounting hardware is provided. For counters over 7/8" and up to 1-1/2" thick, please order Thick-Counter Mounting Clips for Drop-In Sinks, **Model # K-28 Per Sink**. (Quantity supplied varies based on drop in sink ordered).

Includes 4" O.C. **K-52** faucet & basket drain.

**CONSTRUCTION:**

Unit fabricated from one sheet of stainless steel.

All bowls are Sound Deadened.

Units feature Advance Tabco's **Smart Finish™**.

**MECHANICAL:**

Faucet supply is 1/2" IPS male thread.

Deck mounted faucet is furnished with aerator and 4" O.C.

**MATERIAL:**

20 gauge type 304 series stainless steel.

Faucets are brass-nickel plated.

Stainless Steel 1-1/2" IPS basket drain.

Available Faucets & Accessories	Model #	Qty
Deck Mounted 3 1/2" Gooseneck. 4" O.C.	<b>K-52</b>	
Deck Mounted 8 1/2" Gooseneck. 4" O.C.	<b>K-55</b>	
Deck Mounted Swing w/Spray. 8" O.C.*	<b>K-58</b>	
Deck Mtd. X.H.D. 3 1/2" Gooseneck. 4" O.C.	<b>K-62</b>	
Thick-Counter Mounting Clips for Countertops over 7/8" and up to 2". (Qty. supplied varies based on sink ordered)	<b>K-28</b>	

\*REQUIRES **K-472** FAUCET HOLE REVISION

**FOR REPLACEMENT FAUCET, DRAINS AND ACCESSORIES, SEE SECTION G**

Standard Mounting Clips For Countertops 7/8" Thick or Less (Included)



**K-28 (Per Sink)** Mounting Clips For Countertops Over 7/8" Thick (Maximum of 1 1/2")



**NEW YORK**  
 (800) 645-3166  
 Fax: (631) 242-6900

**GEORGIA**  
 (800) 832-1218  
 Fax: (770) 775-5625

**TEXAS**  
 (800) 527-0353  
 Fax: (972) 932-4795

**NEVADA**  
 (800) 446-8684  
 Fax: (775) 972-1578

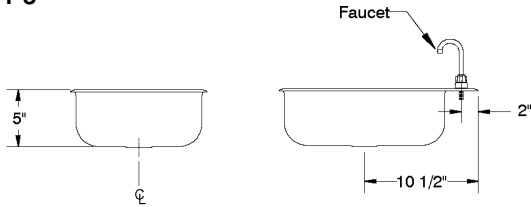
# DIMENSIONS and SPECIFICATIONS

TOL ± .125"

Supplied with K-52 Faucet

ALL DIMENSIONS ARE TYPICAL

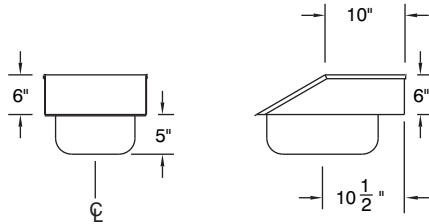
DI-1-5



Approx. Wt. 12 lbs.



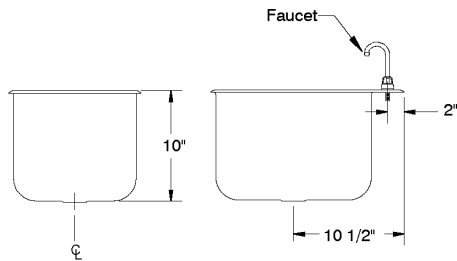
DI-1-5SP



Approx. Wt. 16 lbs.



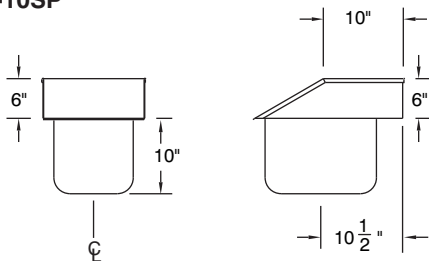
DI-1-10



Approx. Wt. 14 lbs.



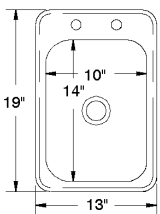
DI-1-10SP



Approx. Wt. 18 lbs.

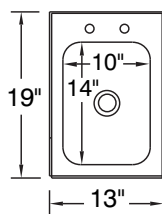


TOP VIEW FOR  
DI-1-5 & DI-1-10

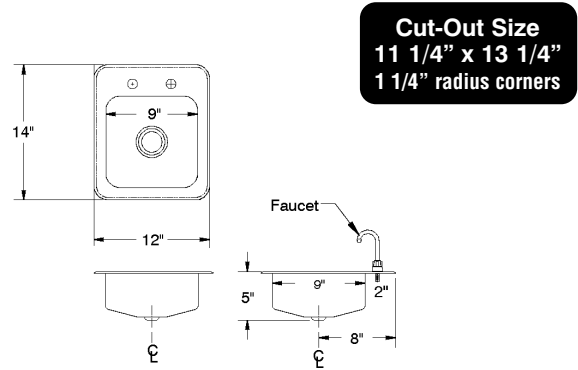


**Cut-Out Size**  
12 1/4" x 18 1/4"  
1 1/4" radius corners

TOP VIEW FOR  
DI-1-5SP & DI-1-10SP



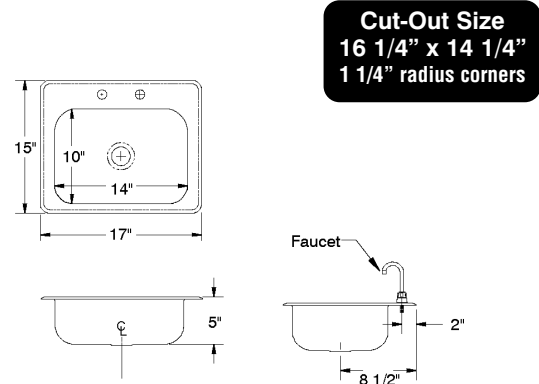
DI-1-25



Approx. Wt. 8 lbs.



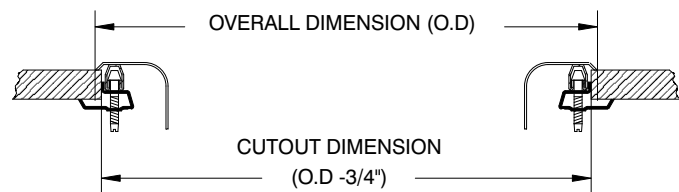
DI-1-35



Approx. Wt. 10 lbs.



## TYPICAL INSTALLATION



**Cut-Out Size = L to R x F to B**

