

ALUMINUM
CAN RACKS
Full and Half Size

Item #: _____ Qty #: _____
 Model #: _____
 Project #: _____



CR10-162



CR10-72



CRPL10-72

FEATURES:

Heavy duty welded construction.

Metal bullet feet on CR10-162 only.

4" plate caster standard on CR10-72, CR10-54, CRPL10-72 and CRPL10-54 only.

CONSTRUCTION:

Fully welded 1 1/4" square tubing ladder assembly.

MATERIAL:

6063-T52 extruded aluminum angles.

Aluminum top .09 thickness.

Accessory	Model #	Qty
Set of 4 factory - installed 4" plate casters	RA-55	

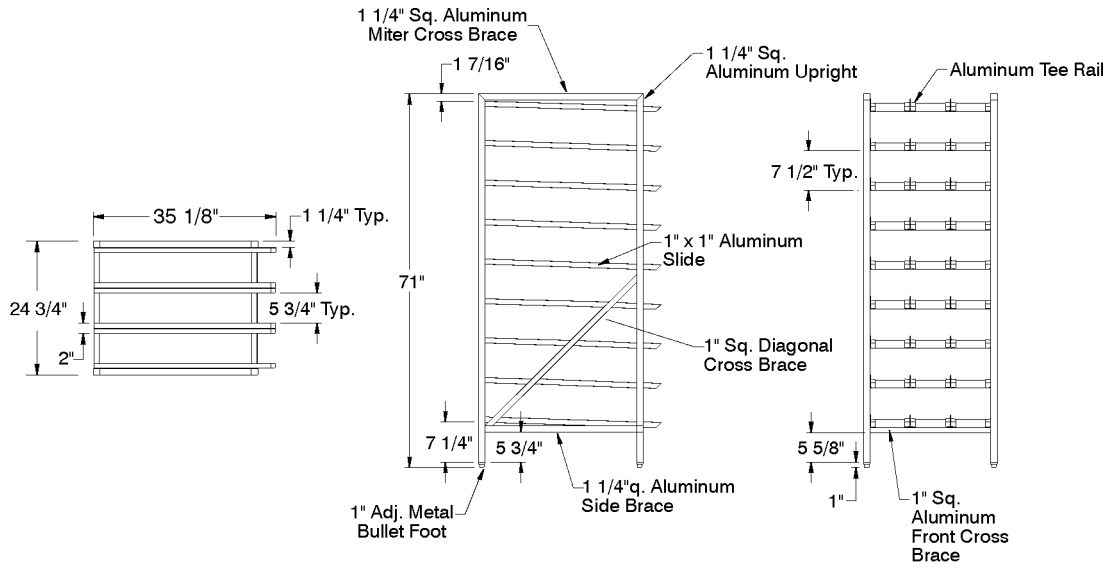
MODEL #	Description	Can Capacity		Overall Size L x W x H	Weight
		#10	#5		
CR10-162	Full Can Rack	162	216	24 3/4" x 35 1/8" x 71"	42 lbs.
CR10-162M	Full Can Rack with Casters	162	216	24 3/4" x 35 1/8" x 71"	47 lbs.
CR10-72	Aluminum Top	72	96	24 3/4" x 35 1/8" x 40 1/8"	36 lbs.
CR10-54	Aluminum Top	54	72	24 3/4" x 35 1/8" x 32 5/8"	39 lbs.
CRPL10-72	Poly Top	72	96	24 3/4" x 35 1/8" x 40 1/8"	51 lbs.
CRPL10-54	Poly Top	54	72	24 3/4" x 35 1/8" x 32 5/8"	54 lbs.

DIMENSIONS and SPECIFICATIONS

TOL ± .500"

ALL DIMENSIONS ARE TYPICAL

CR10-162



CR10-72

