



ALUMINUM

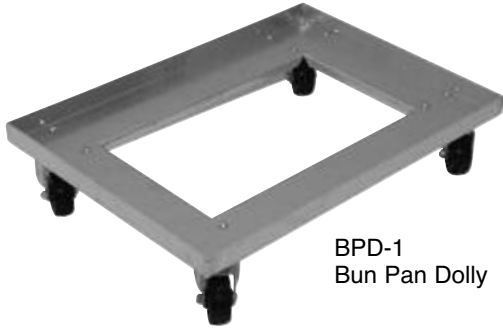
# DOLLIES & TRUCKS

## Bun Pan Dolly - Glass Rack Dolly - Pan Truck

**Item #:** \_\_\_\_\_ **Qty #:** \_\_\_\_\_

**Model #:** \_\_\_\_\_

**Project #:** \_\_\_\_\_



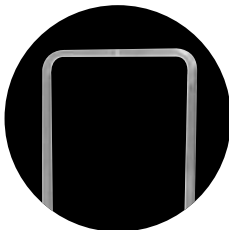
BPD-1  
Bun Pan Dolly



PD-1  
Pan Truck



GRD-1  
Glass Rack Dolly



Optional  
Glass Rack Dolly Handle  
(Assembly Required)  
**RA-14**

**FEATURES:**

**BUN PAN DOLLY:**

Heavy duty welded construction. Holds 60 full size pans. 3" bolted plate casters. 400 lbs. weight capacity.

**PAN TRUCK:**

Curved top design. Heavy duty welded construction. Heavy duty 3" bolted swivel plate casters. Holds 60 full size pans. 400 lbs. weight capacity.

**GLASS RACK DOLLY:**

Heavy duty welded construction. 3" bolted swivel plate casters.

**CONSTRUCTION:**

Fully welded construction.

**MATERIAL:**

Heavy duty gauge aluminum plate, 6063-T52 extruded upright tubing (PD-1).

MODEL #	Wt.	Qty
BPD-1 Bun Pan Dolly	16 lbs.	
GRD-1 Glass Rack Dolly	14 lbs.	
PD-1 - Pan Truck	15 lbs.	

Accessory	Model #	Qty
Glass Rack Dolly Handle	<b>RA-14</b>	



**NEW YORK**  
(800) 645-3166  
Fax: (631) 242-6900

**GEORGIA**  
(800) 832-1218  
Fax: (770) 775-5625

**TEXAS**  
(800) 527-0353  
Fax: (972) 932-4795

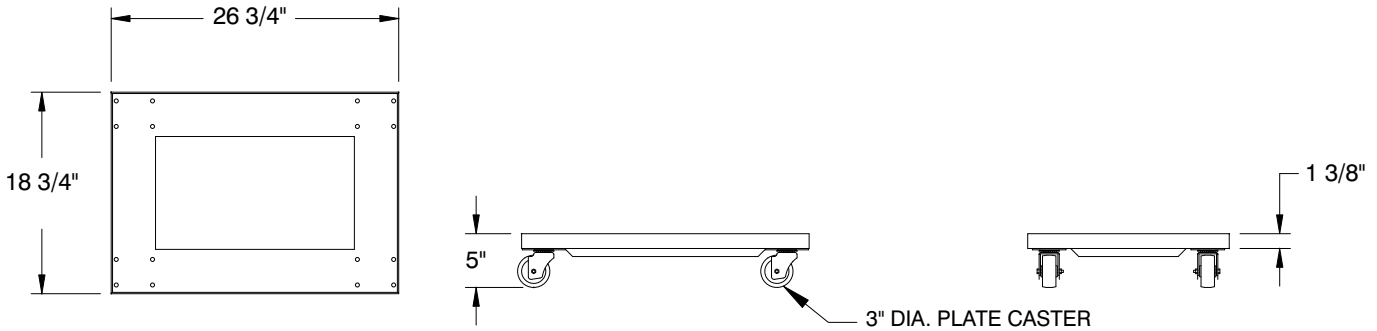
**NEVADA**  
(800) 446-8684  
Fax: (775) 972-1578

# DIMENSIONS and SPECIFICATIONS

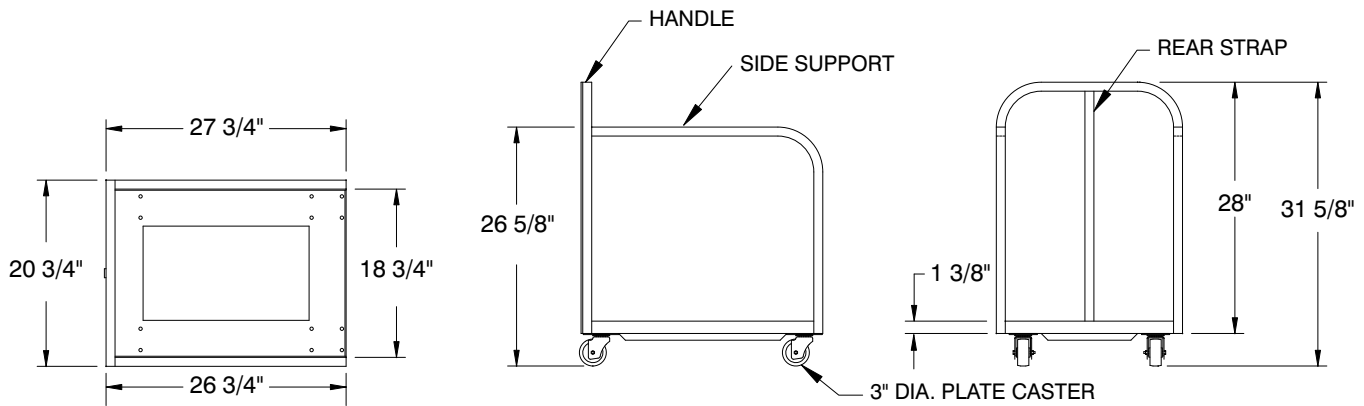
TOL ± .500"

ALL DIMENSIONS ARE TYPICAL

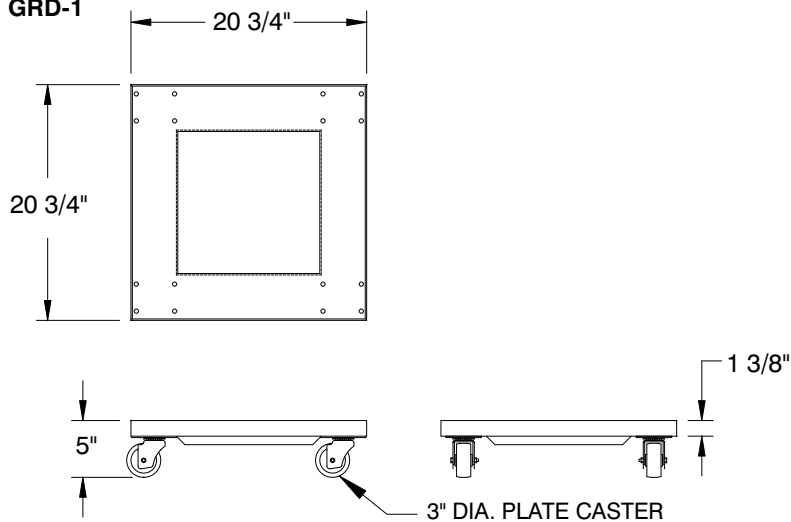
## BPD-1



## PD-1



## GRD-1



## Optional Glass Rack Dolly Handle (Assembly Required) RA-14

