



ALUMINUM
BUS BOX CART



BC3

Item #: _____ **Qty #:** _____
Model #: _____
Project #: _____

FEATURES:

- Curved top design.
- Heavy duty welded construction with 6 cross supports.
- Heavy duty 5" stem bolted swivel casters.
- 1 1/2" Ribbed Angles.
- Holds 3 bus boxes.

CONSTRUCTION:

Fully welded 1" square tubing ladder assembly.

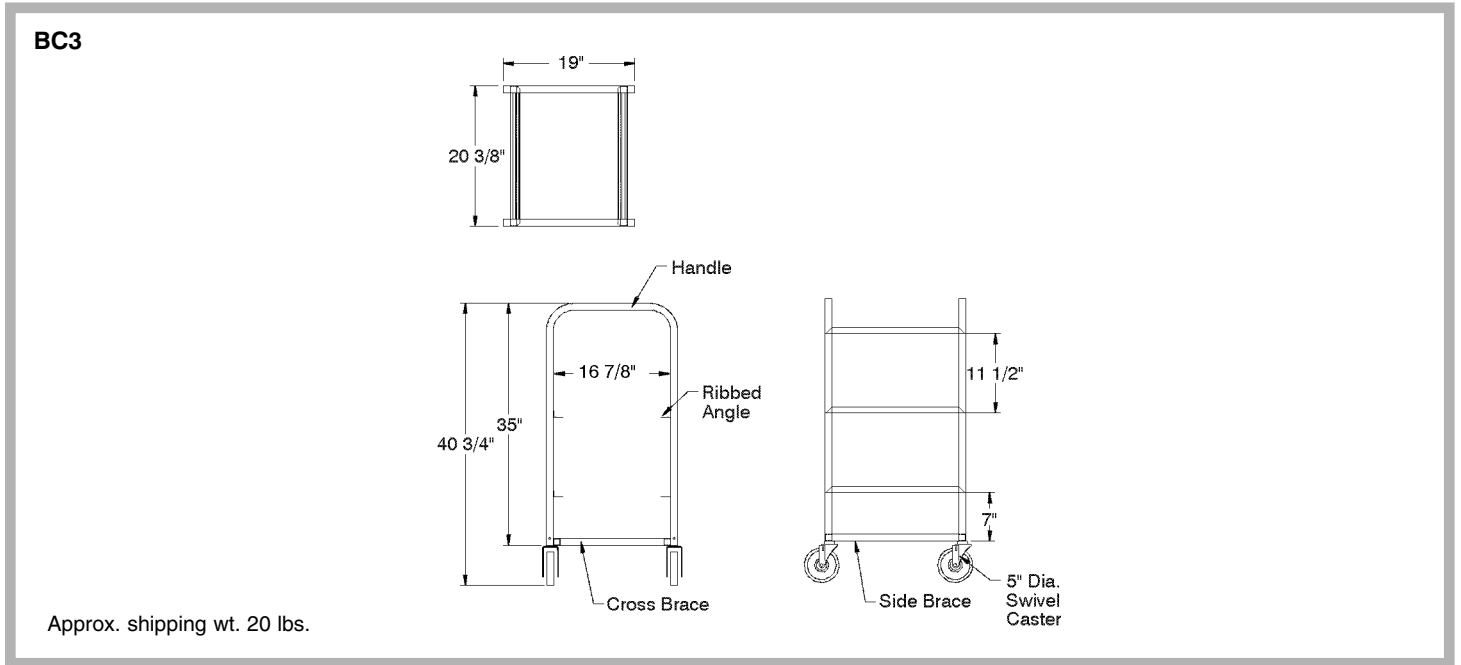
MATERIAL:

6063-T52 extruded aluminum angles, upright tubing, and support pieces.

DIMENSIONS and SPECIFICATIONS

TOL ± .500"

ALL DIMENSIONS ARE TYPICAL



 ADVANCE TABCO SMART FABRICATION™ www.advancetabco.com	NEW YORK (800) 645-3166 Fax: (631) 242-6900	GEORGIA (800) 832-1218 Fax: (770) 775-5625	TEXAS (800) 527-0353 Fax: (972) 932-4795	NEVADA (800) 446-8684 Fax: (775) 972-1578
------------------------------------------------------------------------	----------------------------------------------------------	---------------------------------------------------------	-------------------------------------------------------	--------------------------------------------------------