



CHROME

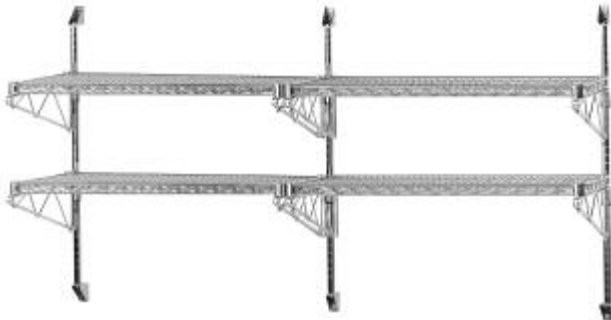
WIRE WALL MOUNT BRACKETS & POSTS

Item #: _____ **Qty #:** _____

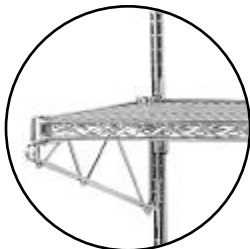
Model #: _____

Project #: _____

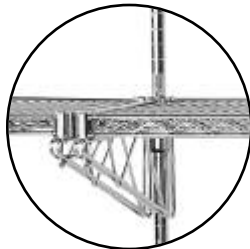
Adjustable 2-Tier Brackets & Posts



(Shelving not included)



End Bracket



Mid Bracket

ADJUSTABLE 2-TIER SHELVING POSTS

| | MODEL # | Size | Weight |
|-------------------|---------|----------------------------|---------|
| END MOUNT | AB2-14 | 14" | 18 lbs. |
| | AB2-18 | 18" | 19 lbs. |
| *MID MOUNT | ABM2-14 | 14" | 18 lbs. |
| | ABM2-18 | 18" | 19 lbs. |
| Mounting Hardware | EC-50 | Includes 2 Mounts Per Pack | |

* For Adjoining Shelves

End Mount Posts include 2 - 34" posts, 4 single brackets, collar filler caps and mounting hardware

Mid-Mount Posts include 1 - 34" post, 2 double brackets and mounting hardware



For additional tiers, order larger posts and use **EC-50 Mounting Hardware** for each post

Wall Shelf Mounting Brackets



Single Wall Bracket



Double Wall Bracket

BRACKETS

| | MODEL # | Size | Weight |
|-----------------|---------|------|--------|
| SINGLE BRACKET | SB-14 | 14" | 2 lbs. |
| | SB-18 | 18" | 3 lbs. |
| *DOUBLE BRACKET | DB-14 | 14" | 3 lbs. |
| | DB-18 | 18" | 4 lbs. |

* For Adjoining Shelves

SB Series includes 2 single brackets
DB Series includes 1 double bracket

FEATURES:

Brackets feature 1/4" diameter wire for stability and strength. NSF approved.

MATERIAL:

Chrome plated steel.

CONSTRUCTION:

End mount and Mid-mount Posts attach to wall with mounting hardware (Not Included).

Wall Shelf Brackets attach to wall with mounting hardware. Unit assembles using tapered split sleeves.

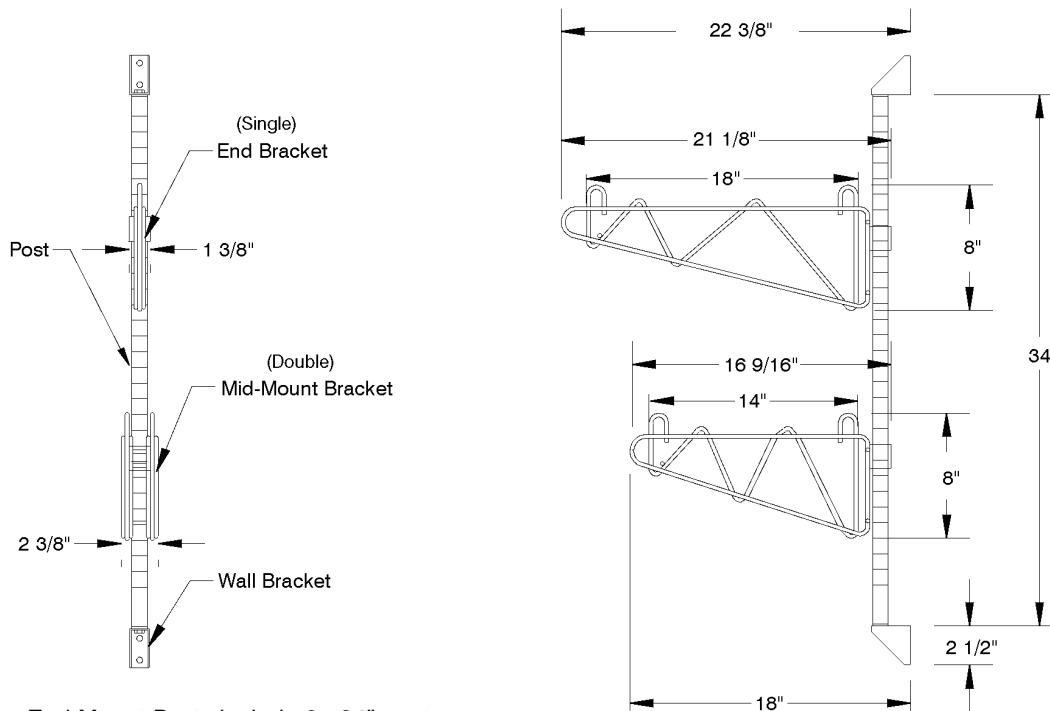
| | | | | |
|--|---|--|--|---|
| <p>ADVANCE TABCO SMART FABRICATION™ www.advancetabco.com</p> | <p>NEW YORK (800) 645-3166 Fax: (631) 242-6900</p> | <p>GEORGIA (800) 832-1218 Fax: (770) 775-5625</p> | <p>TEXAS (800) 527-0353 Fax: (972) 932-4795</p> | <p>NEVADA (800) 446-8684 Fax: (775) 972-1578</p> |
|--|---|--|--|---|

DETAILS and SPECIFICATIONS

TOL ± .500"

ALL DIMENSIONS ARE TYPICAL

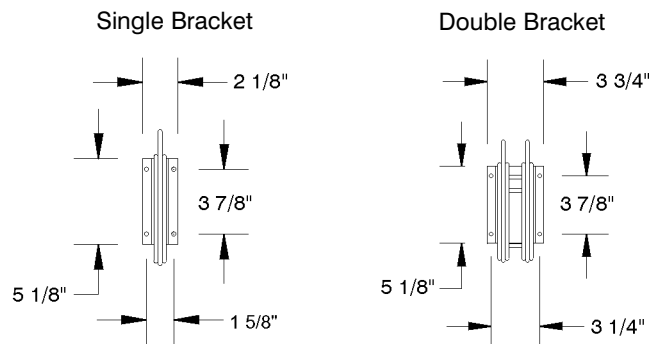
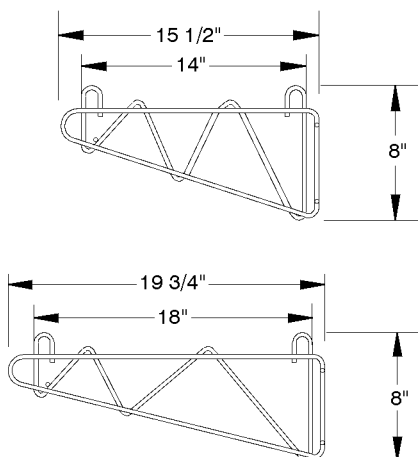
ADJUSTABLE 2-TIER BRACKETS & POSTS



End Mount Posts include 2 - 34" posts and 4 single brackets

Mid-Mount Posts include 1 - 34" post and 2 double brackets

WALL SHELF MOUNTING BRACKETS



SB Series includes 2 single brackets
DB Series includes 1 double bracket

