


# MOBILE SINKS & SILVER SOAK SINKS



*Item #:* \_\_\_\_\_ *Qty #:* \_\_\_\_\_  
*Model #:* \_\_\_\_\_  
*Project #:* \_\_\_\_\_

**MOBILE SINKS**



**9-FMS-20** (8" deep)  
**9-FMS-12** (12" deep)

**A Multi-Purpose Unit.  
 Move it where the ACTION is!  
 A Must for the large food  
 preparation type of installation.**

**SILVER SOAK SINKS**



**9-FSS-20** (8" deep)

**UNIVERSAL BOWL SIZE.  
 ACCOMMODATES 19 3/4" X 19 3/4"  
 DISHWASHER BASKETS**

**SILVER SOAK SINKS  
 WITH DETACHABLE  
 CHUTE**



**9-FSC-20** (8" deep)

**Required for the scullery  
 operation that promotes  
 clean sanitary flatware.**

**FEATURES:**

Top sink rim is furnished with a 2" x 1" square edge.

**CONSTRUCTION:**

All TIG welded.

Welded areas blended to match adjacent surfaces and to a satin finish.

**MECHANICAL:**

Waste drain is 2" I.P.S. Twist handle lever operation.

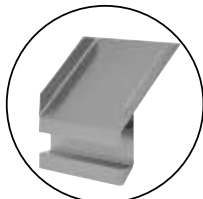
Tail-piece is chrome plated 4" long.

Casters: 4 swivels - each wheel is 5" x 1", each rated at 125 lbs. - two casters furnished with brakes.

**MATERIAL:**

Heavy gauge type "304" stainless steel.

Legs are stainless steel tubing.



**Optional Chute  
 9-SS-1**



**Optional Bumpers  
 9-SS-2**

ACCESSORIES	Model #	Qty
CHUTE	9-SS-1	
BUMPERS (Set of 4)	9-SS-2	

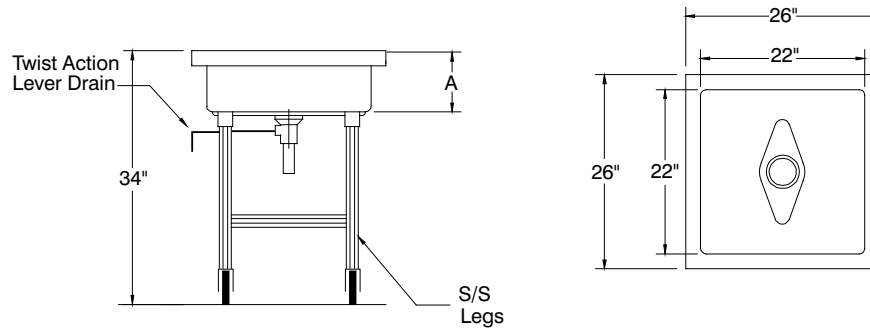
# DIMENSIONS

TOL Overall:  $\pm .500"$   
 Interior:  $\pm .250"$

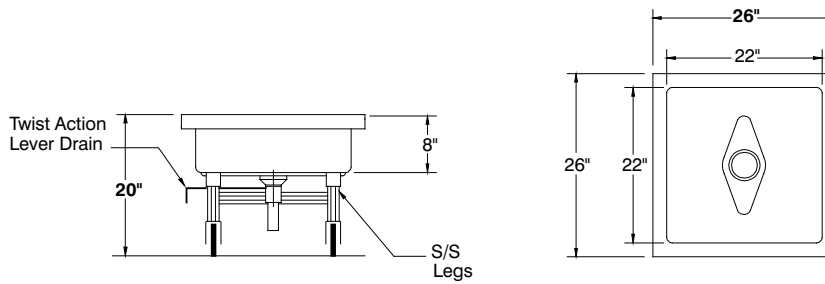
ALL DIMENSIONS ARE TYPICAL

## MOBILE SINK

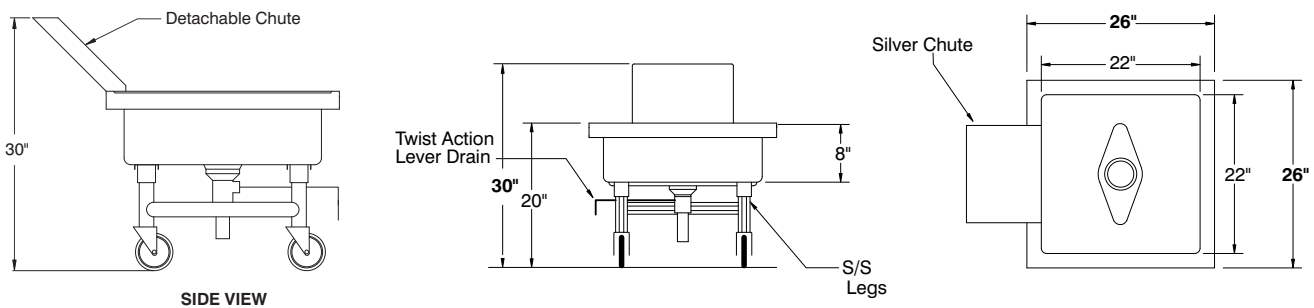
Model #	A
9-FMS-20	8"
9-FMS-12	12"



## 9-FSS-20 SILVER SOAK SINK



## 9-FSC-20 SILVER SOAK SINK WITH DETACHABLE CHUTE



ADVANCE TABCO is constantly engaged in a program of improving our products. Therefore, we reserve the right to change specifications without prior notice.