



STAINLESS STEEL

REGALINE SINKS

Four Compartments - Two Drainboards



Item #: _____ Qty #: _____
 Model #: _____
 Project #: _____

FEATURES:

Tile edge for ease of installation.
 One piece **Deep Drawn** sink bowls with integral drainboards with splash.
 Featuring the single bowl unit design.
 All sink bowls have a large liberal 3" radius.
 Placement of the welded leg assembly ensures stability and furnishes direct support of the column load requirement for the entire sink unit.

"940" series is supplied with front and rear cross brace.

CONSTRUCTION:

All TIG welded.
 Welded areas blended to match adjacent surfaces and to a satin finish.
 Gussets welded to a die-embossed reinforcing channel.

Spec-Line: 940 Series - 11" High Splash.
Standard: 930 Series - 8" Splash.
Super Saver: 900 Series - 8" Splash.

MATERIAL:

940 Series: 14 gauge type 304 stainless steel.
930 Series: 16 gauge type 304 stainless steel.
900 Series: 18 gauge type 304 stainless steel.

- LEGS:**
- 1 5/8" diameter tubular stainless steel.
 - Stainless steel gussets and channels.
 - Stainless Steel 1" adjustable bullet feet.

YES! It's SeaLess!

BOWL SIZE	O.A. LENGTH (inches) (mm)	DRBD. SIZE (inches) (mm)	SPEC-LINE 940 Series		STANDARD 930 Series		SUPER SAVER 900 Series		Cubic Feet		
			14 Ga. 304 S/S 14" Water Level		16 Ga. 304 S/S 12" Water Level		18 Ga. 304 S/S 12" Water Level				
			MODEL #	Approx. Wt. (lbs.)	MODEL #	Approx. Wt. (lbs.)	MODEL #	Approx. Wt. (lbs.)			
16 x 20 (406 x 508)	110"	2794	18"	457	94-4-72-18RL	210	93-4-72-18RL	183	9-4-72-18RL	175	58
	122"	3099	24"	610	94-4-72-24RL	275	93-4-72-24RL	252	9-4-72-24RL	241	64
	146"	3708	*36"	914	94-4-72-36RL	313	93-4-72-36RL	287	9-4-72-36RL	274	86
20 x 20 (508 x 508)	126"	3200	18"	457	94-24-80-18RL	293	93-24-80-18RL	268	9-24-80-18RL	259	87
	138"	3505	24"	610	94-24-80-24RL	312	93-24-80-24RL	286	9-24-80-24RL	275	95
	162"	4115	*36"	914	94-24-80-36RL	351	93-24-80-36RL	322	9-24-80-36RL	308	111
18 x 24 (457 x 610)	118"	2970	18"	457	94-64-72-18RL	358	93-64-72-18RL	346	9-64-72-18RL	336	82
	130"	3283	24"	610	94-64-72-24RL	372	93-64-72-24RL	355	9-64-72-24RL	344	90
	154"	3893	*36"	914	94-64-72-36RL	409	93-64-72-36RL	392	9-64-72-36RL	378	106
24 x 24 (610 x 610)	154"	3912	24"	610	94-44-96-24RL	395	93-44-96-24RL	361	9-44-96-24RL	348	106
	178"	4521	*36"	914	94-44-96-36RL	431	93-44-96-36RL	398	9-44-96-36RL	382	122
20 x 28 (508 x 711)	126"	3200	18"	457	94-84-80-18RL	382	93-84-80-18RL	361	9-84-80-18RL	350	97
	138"	3505	24"	610	94-84-80-24RL	402	93-84-80-24RL	374	9-84-80-24RL	361	106
	162"	4115	*36"	914	94-84-80-36RL	442	93-84-80-36RL	411	9-84-80-36RL	395	124
All Units Require Two Faucets			14" Water Level 17" Flood Level		12" Water Level 15" Flood Level		12" Water Level 15" Flood Level				

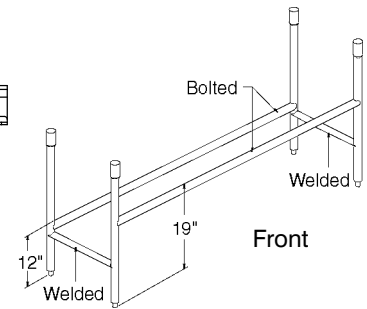
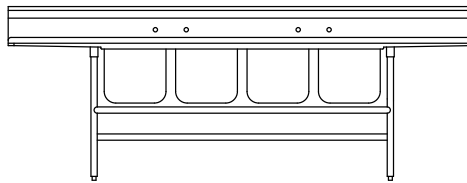
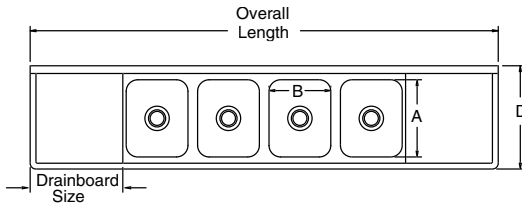
* Regalines with 36" Drainboards are Supplied with Two Sets of Legs for Support.

<p>ADVANCE TABCO SMART FABRICATION™ www.advancetabco.com</p>	<p>NEW YORK (800) 645-3166 Fax: (631) 242-6900</p>	<p>GEORGIA (800) 832-1218 Fax: (770) 775-5625</p>	<p>TEXAS (800) 527-0353 Fax: (972) 932-4795</p>	<p>NEVADA (800) 446-8684 Fax: (775) 972-1578</p>
---	---	--	--	---

DIMENSIONS and SPECIFICATIONS

TOL Overall: ± .500"
Interior: ± .250"

ALL DIMENSIONS ARE TYPICAL



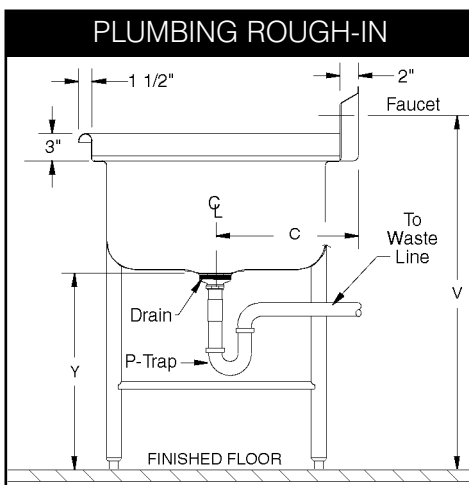
940 Series Cross Bracing

DESCRIPTION

BOWL (SIZE)	Overall Length	DRBD (SIZE)	Recommended Use	A	B	C	D	940 SERIES					900 & 930 SERIES				
								V	W	X	Y	Z	V	W	X	Y	Z
16x20	110"	18"	DISH SINKS	20"	16"	13 5/8"	27"	38"	11"	14"	20"	45"	38"	8"	12"	22"	42"
	122"	24"															
	146"	*36"															
20x20	126"	18"	DISH & POT SINKS	20"	20"	13 5/8"	27"	38"	11"	14"	20"	45"	38"	8"	12"	22"	42"
	138"	24"															
	162"	*36"															
18x24	118"	18"	POT & PAN SINKS	24"	18"	15 5/8"	31"	38"	11"	14"	20"	45"	38"	8"	12"	22"	42"
	130"	24"															
	154"	*36"															
24x24	154"	24"	POT SINKS	24"	24"	15 5/8"	31"	38"	11"	14"	20"	45"	38"	8"	12"	22"	42"
	178"	*36"															
20x28	126"	18"	PAN SINKS	28"	20"	17 5/8"	35"	38"	11"	14"	20"	45"	38"	8"	12"	22"	42"
	138"	24"															
	162"	*36"															

All Sinks Require Two Faucets

* Regalines with 36" Drainboards are Supplied with Two Sets of Legs for Support.



MECHANICAL:

- Supply is 1/2" IPS hot & cold.
- Faucet holes on 8" centers.
- Faucets are not included (see accessories).
- Waste drains are 1 1/2" IPS S/S basket type, located in center of sink bowl, and are included.

