

# HAND SINKS

with **SOAP** and **PAPER TOWEL DISPENSER**



**Item #:** \_\_\_\_\_ **Qty #:** \_\_\_\_\_  
**Model #:** \_\_\_\_\_  
**Project #:** \_\_\_\_\_



7-PS-80



7-PS-79



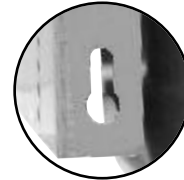
7-PS-85

**Includes Skirt**



7-PS-69

**Keyhole Bracket for easier installation and greater stability.**



**FEATURES:**

- One piece **Deep Drawn** sink bowl design.
- Sink bowl is 10" x 14" x 5".
- All sink bowls have a large liberal radii with a minimum dimension of 2" and are rectangular in design for increased capacity.
- Keyhole wall mount bracket.
- Stainless steel basket drain 1-1/2" IPS.
- Towel dispenser with hinged towel box. Unit uses standard C-fold towels.
- Liquid Soap Dispenser.
- Splash mounted 4" O.C. gooseneck faucet furnished with aerator.

**Specific Features:**

- 7-PS-69** wrist handle faucet. Side support brackets included.
- 7-PS-69 & 7-PS-80** lever operated drain and built-in overflow with plastic overflow tube and spring clamps. P-Trap is 1 1/2".
- 7-PS-85** chrome plated 1 1/2" P-Trap & apron.

**CONSTRUCTION:**

- All TIG welded.
- Welded areas blended to match adjacent surfaces and to a satin finish.
- Die formed Countertop Edge with a No-Drip offset.
- One sheet of stainless steel- No Seams.

**MATERIAL:**

- Heavy gauge type 304 series stainless steel.
- Wall mounting bracket is Galvanized and of offset design.
- All fittings are brass / chrome plated unless otherwise indicated.

**MECHANICAL:**

- Faucet supply is 1/2" IPS male thread hot and cold.

**FOR REPLACEMENT FAUCET, DRAINS AND ACCESSORIES  
SEE PAGE B-13 & SECTION G**

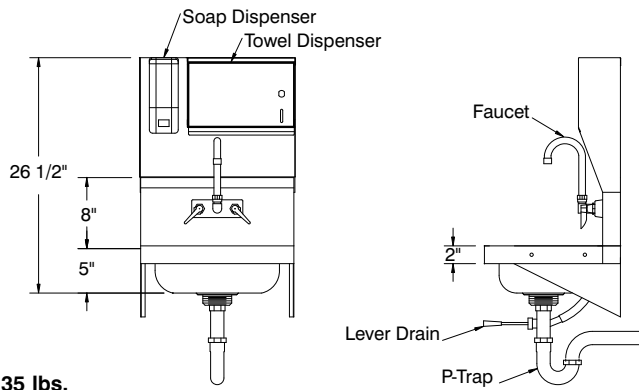
# DIMENSIONS and SPECIFICATIONS

TOL Overall: ± .500" Interior: ± .250"

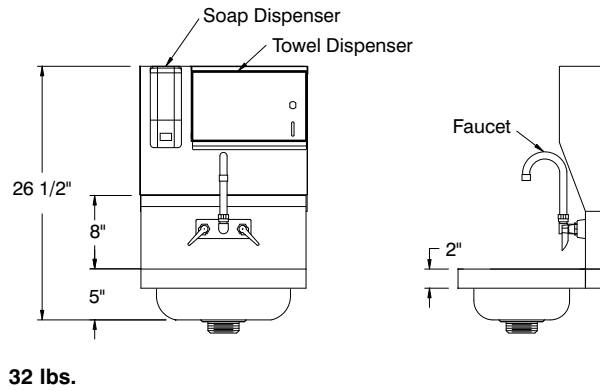
FITTINGS SUPPLIED AS SHOWN

ALL DIMENSIONS ARE TYPICAL

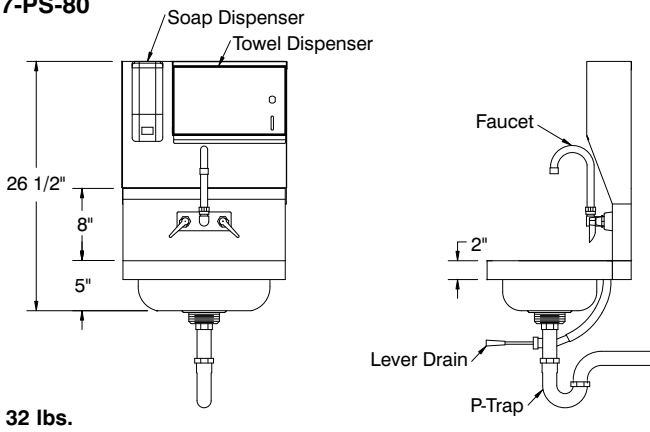
**7-PS-69**



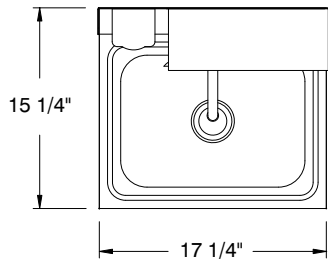
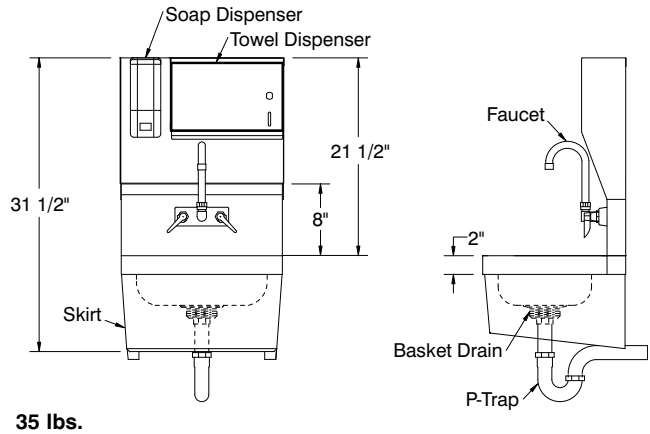
**7-PS-79**



**7-PS-80**



**7-PS-85**



**TOP VIEW  
WITH TOWEL  
DISPENSER**

