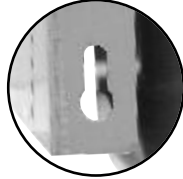


Keyhole Bracket for easier installation and greater stability.



7-PS-40



7-PS-66

**SPACE SAVER**  
9" x 9" x 5" Bowl



7-PS-56

**Item #:** \_\_\_\_\_ **Qty #:** \_\_\_\_\_  
**Model #:** \_\_\_\_\_  
**Project #:** \_\_\_\_\_

**FEATURES:**

**7-PS-40 & 7-PS-66:**

One piece **Deep Drawn** sink bowl design.  
Sink bowl is 10" x 14" x 5".  
7 3/4" high side splashes.  
Keyhole wall mount bracket.  
Stainless steel basket drain 1-1/2" IPS.  
Splash mounted 4" O.C. gooseneck faucet furnished with aerator.

**Specific Features:**

**7-PS-40** lever operated drain and built-in overflow with plastic overflow tube and spring clamps. P-Trap is 1 1/2".

**7-PS-56:**

One piece **Deep Drawn** sink bowl design.  
Sink bowl is 9" x 9" x 5".  
7 3/4" high side splashes.  
Keyhole wall mount bracket.  
Flat-Top Strainer 1-1/2" IPS.  
Splash mounted 4" O.C. extended 6" faucet furnished with aerator.

**CONSTRUCTION:**

All TIG welded.  
Welded areas blended to match adjacent surfaces and to a satin finish.  
Die formed Countertop Edge with a 3/8" No-Drip offset.  
One sheet of stainless steel - No Seams.  
All sink bowls have a large liberal radii with a minimum dimension of 2" and are rectangular in design for increased capacity.

**MATERIAL:**

Heavy gauge type 304 series stainless steel.  
Wall mounting bracket is galvanized and of offset design.  
All fittings are brass / chrome plated unless otherwise indicated.

**MECHANICAL:**

Faucet supply is 1/2" IPS male thread hot and cold.

**FOR REPLACEMENT FAUCET, DRAINS  
AND ACCESSORIES  
SEE PAGE B-13 & SECTION G**

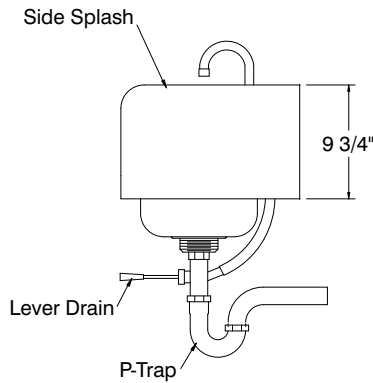
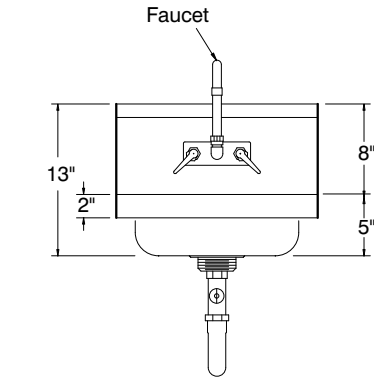
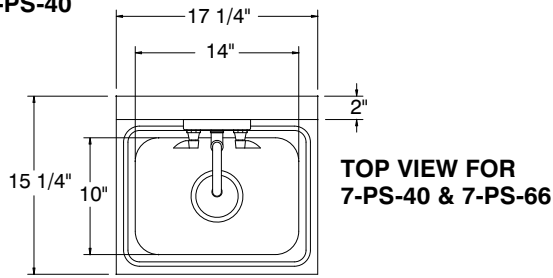
# DIMENSIONS and SPECIFICATIONS

TOL Overall: ± .500" Interior: ± .250"

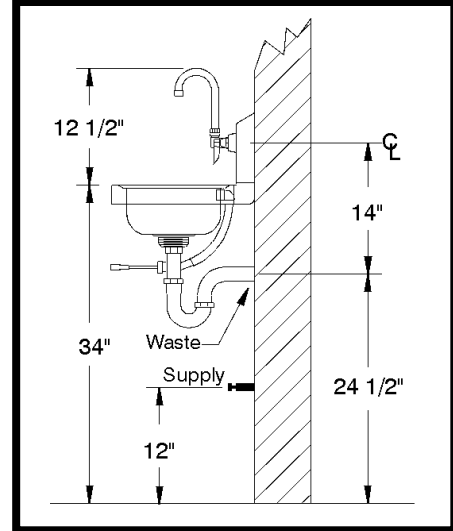
FITTINGS SUPPLIED AS SHOWN

ALL DIMENSIONS ARE TYPICAL

**7-PS-40**

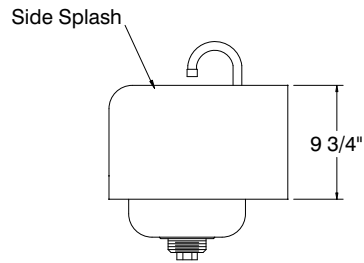
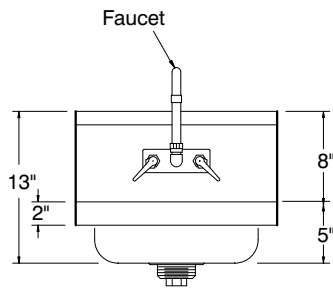


## SUGGESTED PLUMBING



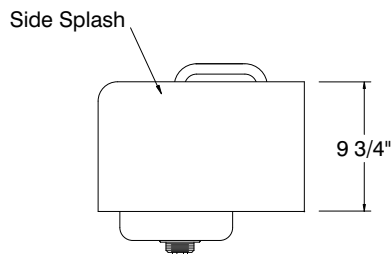
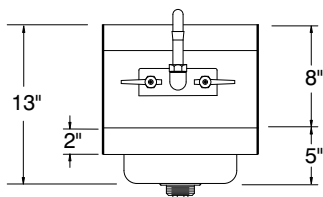
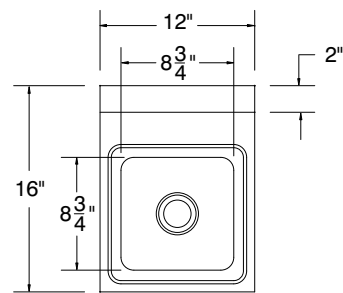
**22 lbs.**

**7-PS-66**



**19 lbs.**

**7-PS-56**



**14 lbs.**

