



STAINLESS STEEL
HAND SINKS
PEDESTAL BASE



7-PS-90



7-PS-95



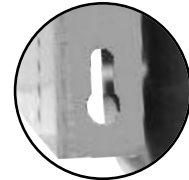
7-PS-99



7-PS-18

Item #: _____ **Qty #:** _____
Model #: _____
Project #: _____

Keyhole Bracket for easier installation and greater stability.



FEATURES:

One piece **Deep Drawn** sink bowl design.
 Sink bowl is 10" x 14" x 5"*.
 (*7-PS-18 sink bowl is 14" x 16" x 6")
 All sink bowls have a large liberal radii with a minimum dimension of 2" and are rectangular in design for increased capacity.
 Keyhole wall mount bracket.
 Stainless steel basket drain 1-1/2" IPS.
 Flush-to-wall unit.
 "Hands Free" splash mounted gooseneck faucet furnished with aerator.
 Foot Pedal Valve for water operation.
 Easy removable panel to access hidden plumbing.

Specific Features:

7-PS-95 towel dispenser with hinged towel box. Unit uses standard C-fold towels. Liquid Soap dispenser.
7-PS-99 towel dispenser & soap dispenser plus trash receptacle & cabinet storage.

CONSTRUCTION:

All TIG welded.
 Welded areas blended to match adjacent surfaces and to a satin finish.
 Die formed Countertop Edge with a No-Drip offset.
 One sheet of stainless steel - No Seams.

MATERIAL:

Heavy gauge type 304 series stainless steel.
 Wall mounting bracket is galvanized and of offset design.
 All fittings are brass / chrome plated unless otherwise indicated.

MECHANICAL:

Faucet supply is 1/2" IPS male thread hot and cold.
 Single pedal mixing valve with brass & rough chrome plated with built in check valve. Front operated temperature adjustment.
 (Contractor on site must connect faucet to foot pedal operated valves.)

**FOR REPLACEMENT FAUCET, DRAINS AND ACCESSORIES
 SEE PAGE B-13 & SECTION G**



NEW YORK
 (800) 645-3166
 Fax: (631) 242-6900

GEORGIA
 (800) 832-1218
 Fax: (770) 775-5625

TEXAS
 (800) 527-0353
 Fax: (972) 932-4795

NEVADA
 (800) 446-8684
 Fax: (775) 972-1578

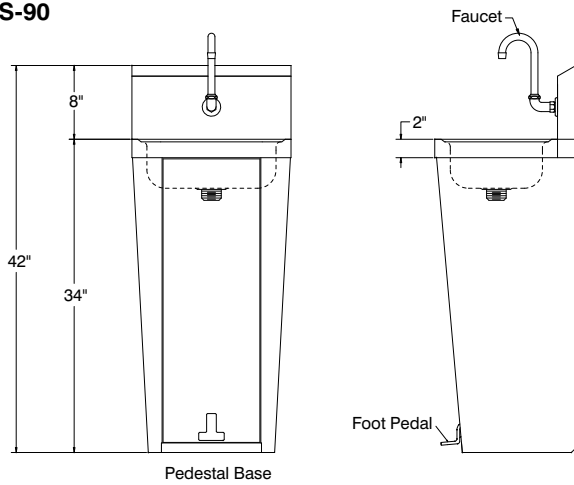
DIMENSIONS and SPECIFICATIONS

TOL Overall: ± .500" Interior: ± .250"

FITTINGS SUPPLIED AS SHOWN

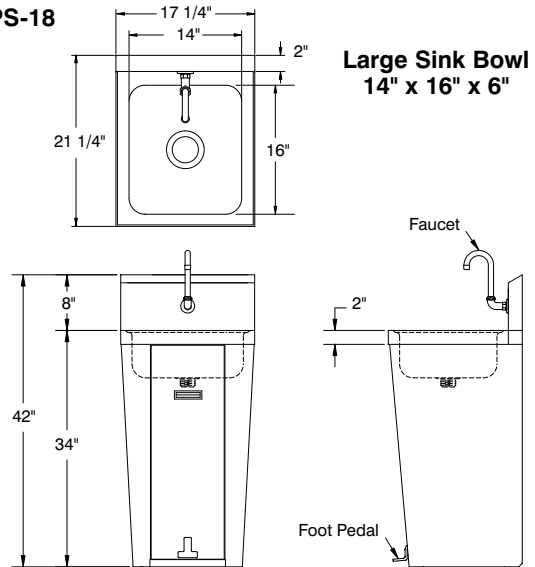
ALL DIMENSIONS ARE TYPICAL

7-PS-90



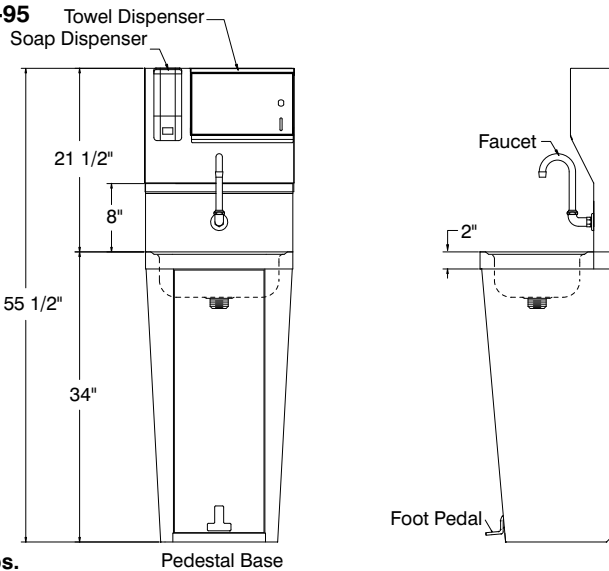
41 lbs.

7-PS-18



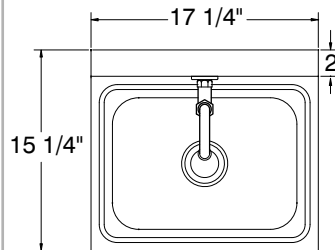
50 lbs.

7-PS-95

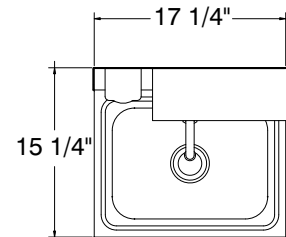


54 lbs.

TOP VIEW 7-PS-90

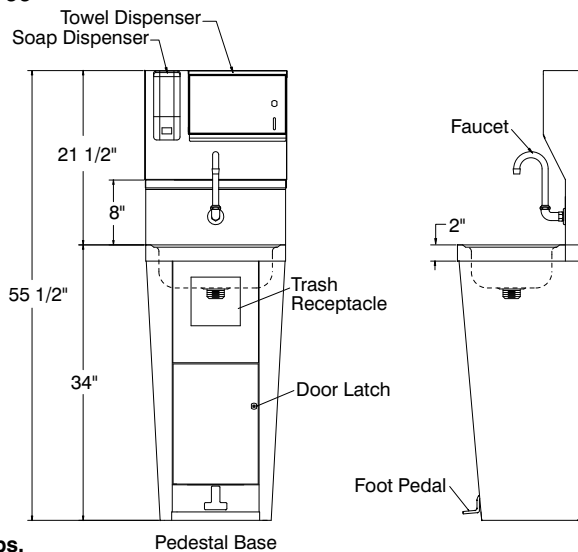


TOP VIEW 7-PS-95 & 7-PS-99



Sink Bowls 10" x 14" x 5"

7-PS-99



59 lbs.

SUGGESTED PLUMBING

P-Trap not included.

