



STAINLESS STEEL  
**SMART SERIES™**  
**UNDERMOUNT SINK BOWLS**  
**SUPER SIZE**



**Item #:** \_\_\_\_\_ **Qty #:** \_\_\_\_\_  
**Model #:** \_\_\_\_\_  
**Project #:** \_\_\_\_\_



**FEATURES:**

One piece seamless **Deep Drawn** stainless steel bowls.  
 All bowls are supplied with sound deadening pads.  
 Units feature Advance Tabco's **Smart Finish™**.

**MATERIALS:**

Type 304 Series Stainless steel.

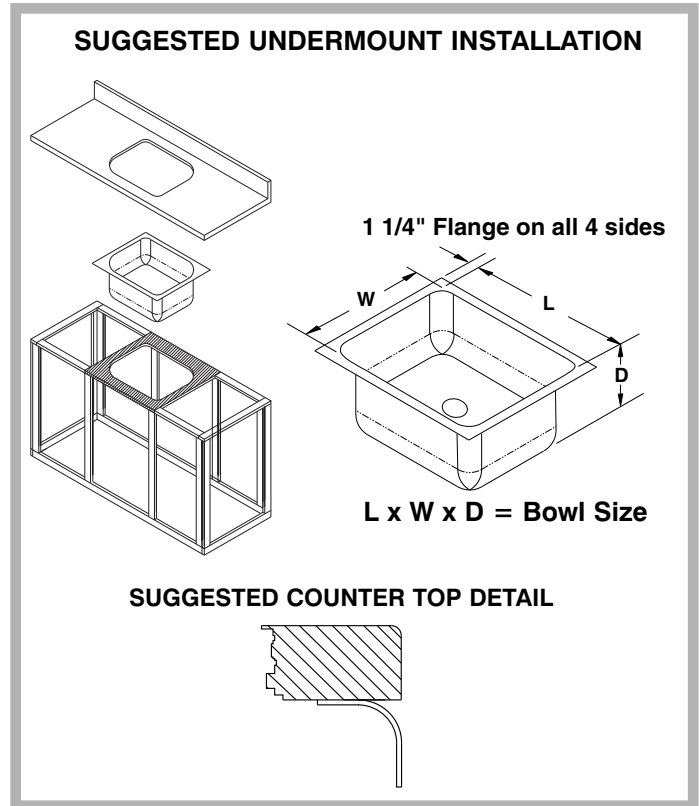
**DIMENSIONS**  
**and SPECIFICATIONS**

TOL ± .125"

ALL DIMENSIONS ARE TYPICAL

OEM Bowls welded by others into stainless steel products.  
 Multiple compartment assemblies available. Call for pricing.

Model#	Gauge	Bowl Size LxWxD	Radius	Overall Trim Size
1014B-05	20	10" x 14" x 5"	2"	12" x 18"
1014A-10	20	10" x 14" x 10"	2"	12" x 18"
1014A-10A	18	10" x 14" x 10"	2"	12" x 18"
1220A-06	20	12" x 20" x 6"	2 1/2"	14 1/2" x 22 1/2"
1220A-08	18	12" x 20" x 8"	2 1/2"	14 1/2" x 22 1/2"
1620A-10	18	16" x 20" x 10"	3"	18 1/2" x 22 1/2"
1620A-12	18	16" x 20" x 12"	3"	18 1/2" x 22 1/2"
1620A-14A	14	16" x 20" x 14"	3"	18 1/2" x 22 1/2"
1824A-12	18	18" x 24" x 12"	3"	20 1/2" x 26 1/2"
1824A-14A	14	18" x 24" x 14"	3"	20 1/2" x 26 1/2"
2020A-12	18	20" x 20" x 12"	3"	22 1/2" x 22 1/2"
2020A-14	18	20" x 20" x 14"	3"	22 1/2" x 22 1/2"
2028A-12	16	20" x 28" x 12"	3"	22 1/2" x 30 1/2"
2028A-14A	14	20" x 28" x 14"	3"	22 1/2" x 30 1/2"
2424A-14A	14	24" x 24" x 14"	3"	26 1/2" x 26 1/2"



<p><b>ADVANCE TABCO</b>          SMART FABRICATION™          www.advancetabco.com</p>	<p><b>NEW YORK</b>          (800) 645-3166          Fax: (631) 242-6900</p>	<p><b>GEORGIA</b>          (800) 832-1218          Fax: (770) 775-5625</p>	<p><b>TEXAS</b>          (800) 527-0353          Fax: (972) 932-4795</p>	<p><b>NEVADA</b>          (800) 446-8684          Fax: (775) 972-1578</p>
---	---	--	--	---