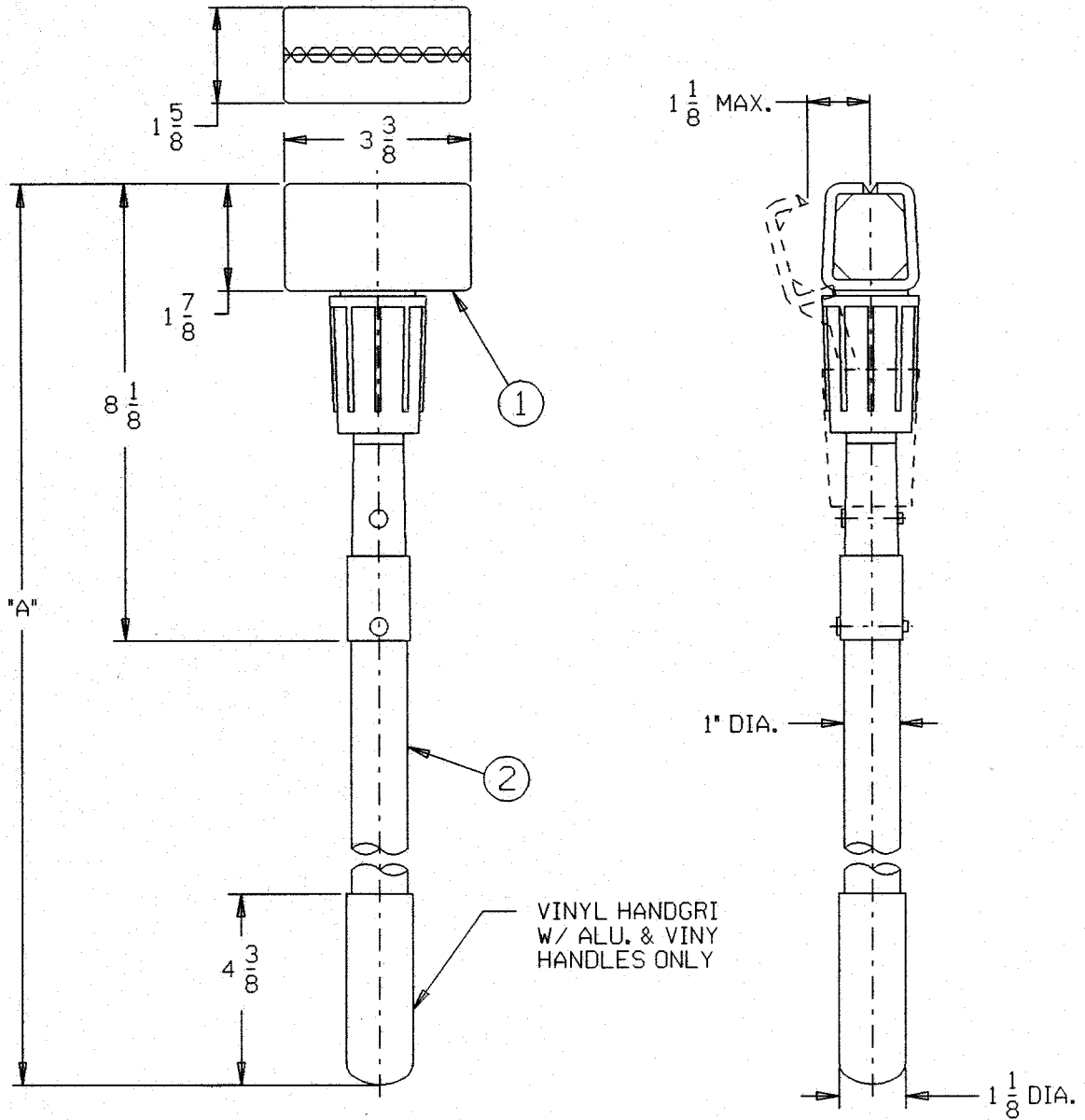


No.	Description/Materials
1	HEAD - ACETAL
2	HANDLE - SEE CHART



PART No.	"A" DIM.	MAT'L. HANDLE	WT. LBS.
H 235	54	VINYL	1.2
H 236	60	VINYL	1.4
H 225	54	ALU.	.9
H 226	60	ALU.	1.0
H 215	54	WOOD	1.1
H 216	60	WOOD	1.3
H 245	54	FIBERGLASS	1.2
H 246	60	FIBERGLASS	1.4

total part wt. SEE CHART

capacity _____

agency approvals _____

miscellaneous _____

Product Specifications

Rubbermaid RUBBERMAID COMMERCIAL PRODUCTS INC.

product name MOP HANDLE

product no. H 235 / CHART revision 1

product no. H 235 / CHART