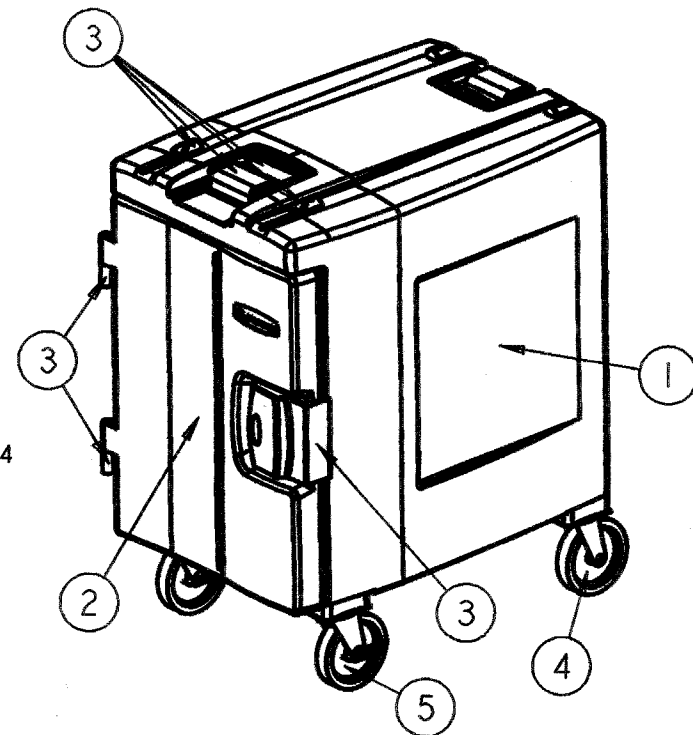


SIDE SECTION VIEW

No.	Description/Materials
1	CONTAINER ASSEMBLY-PE
2	DOOR ASSEMBLY-PE
3	COMPONENTS(REPLACEABLE)-ABS
4	5" SWIVEL CASTER
5	5" SWIVEL CASTER W/BRAKE
6	INSULATION-EPS



INSIDE DIMENSIONS:
21-1/4 X 13-1/4 X 19-5/8

total part wt. 59 LBS

capacity 94 QUARTS

agency approvals NSF (PENDING)

miscellaneous ACCOMMODATES SIX (6) 2-1/2" DEEP

1/1 GASTRONORM FOOD PANS

Product Specifications

Rubbermaid RUBBERMAID COMMERCIAL PRODUCTS INC.

product name "CATERMAX 100"-ENDLOADER

product no. 9408-88 revision 0

product no. 9408-88