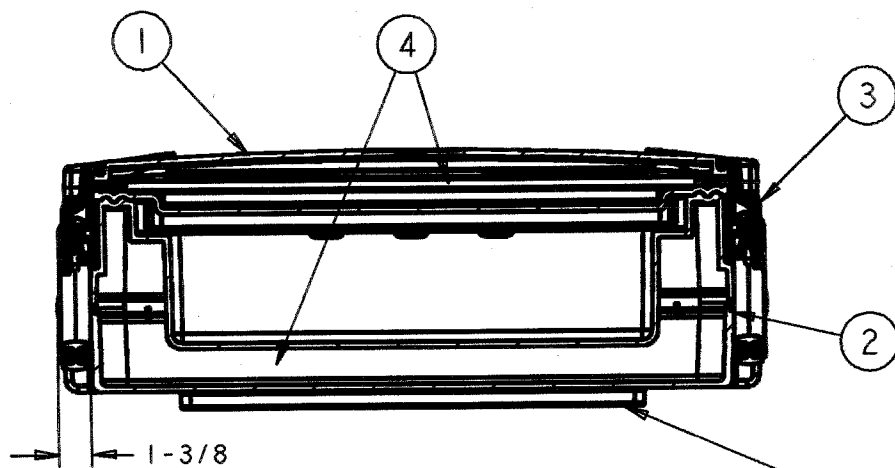
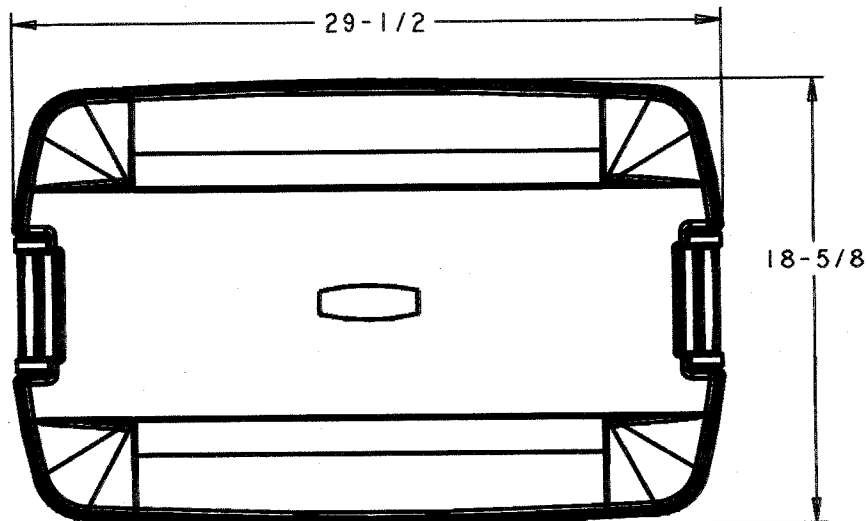
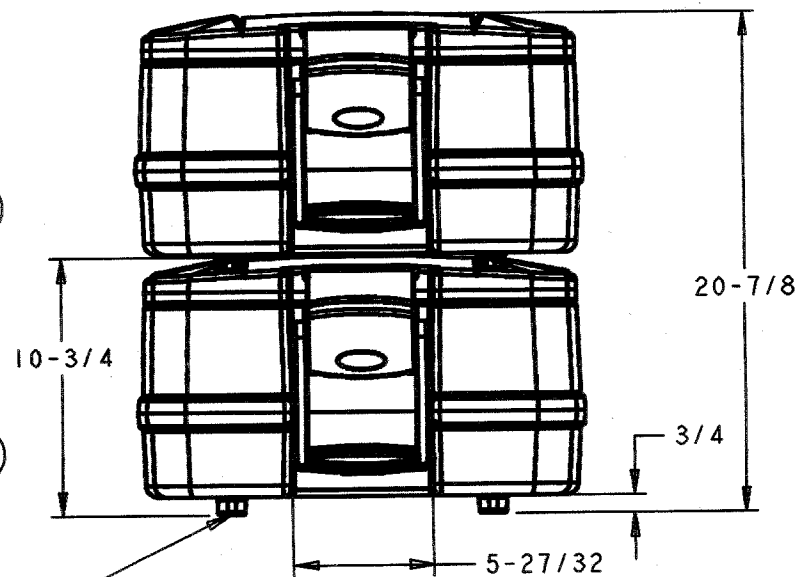


| No. | Description/Materials |
|-----|--|
| 1 | LID ASSEMBLY-PE |
| 2 | BASE ASSEMBLY-PE |
| 3 | HANDLE/LATCH ASSEMBLY-ABS (REPLACEABLE) |
| 4 | INSULATION-EPS |




SIDE SECTION VIEW



STACKING
RUNNERS

END VIEW

INSIDE DIMENSIONS:
19-7/8 X 11-7/8 X 5-3/8

| | | |
|------------------------------|---|--|
| total part wt. <u>27 LBS</u> | agency approvals <u>NSF (PENDING)</u> | Product Specifications  RUBBERMAID COMMERCIAL PRODUCTS INC. product name <u>"CATERMAX 25"-1 PAN</u> product no. <u>9406</u> revision <u>0</u> |
| capacity <u>23 QUARTS</u> | miscellaneous <u>ACCOMMODATES ONE (1) 4" DEEP</u> <u>1/1 GASTRONORM FOOD PAN</u> | |

product no. 9406