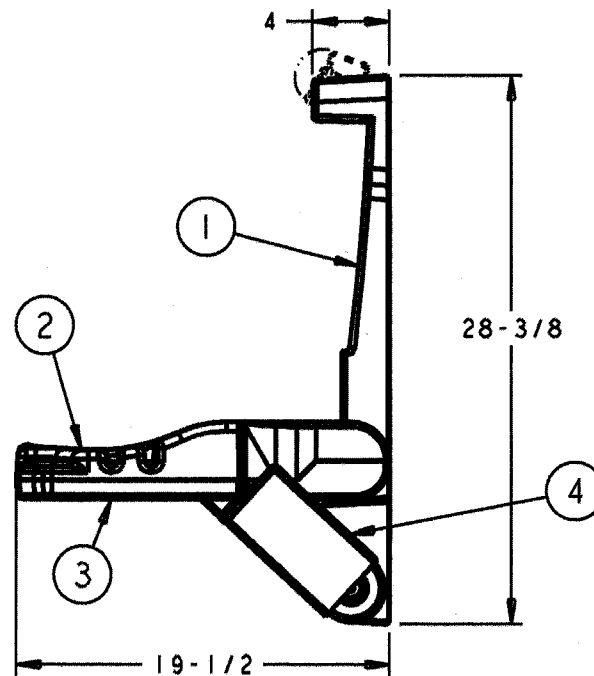


No.	Description/Materials
1	BACKWALL - PP
2	BED - PP
3	BED COVER - ABS
4	RIGHT GUSSET ASSY - PP
5	LEFT GUSSET ASSY - PP
6	LID - PP
7	STRAP ASSY - NYLON
8	LINERS - 7817-00



total part wt. 26 LBS

capacity 50 LBS

agency approvals ADA

miscellaneous BED SIZE: 30" X 20"

REPLACEABLES: STRAP ASSY & LINERS

### Product Specifications



product name STURDY STATION 2

product no. 7818 revision 0

Product No. 7818