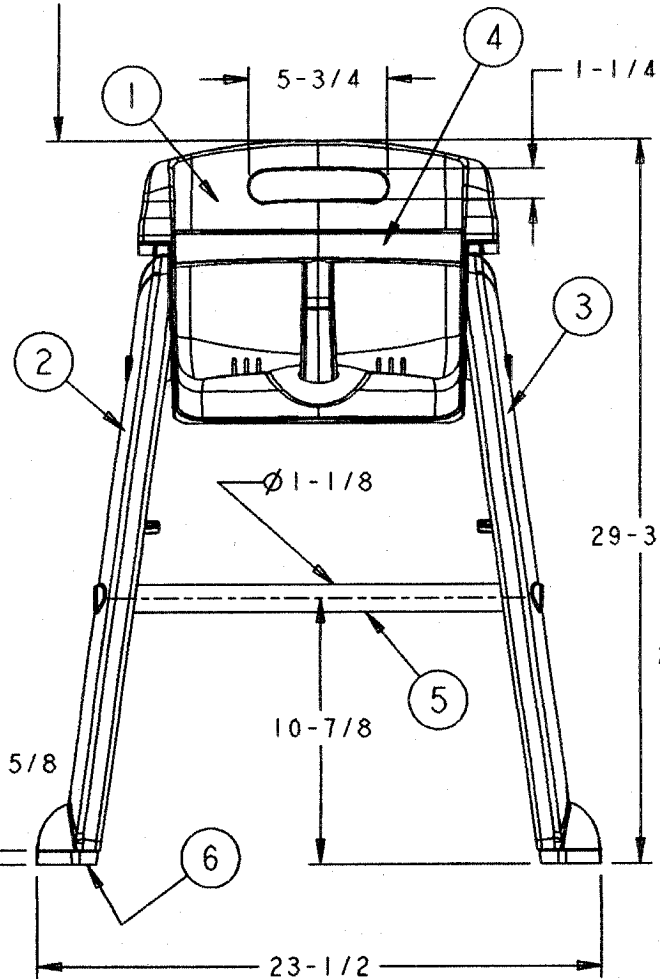
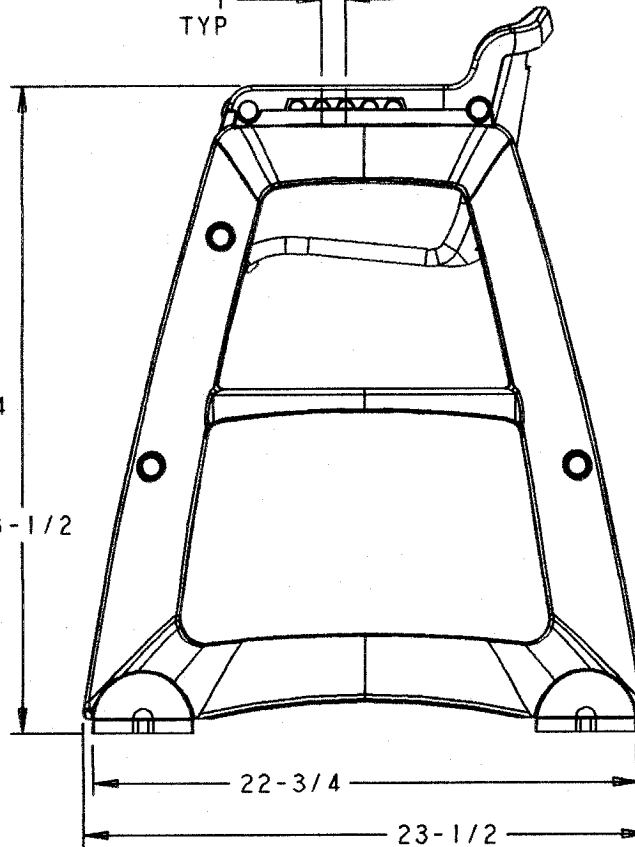


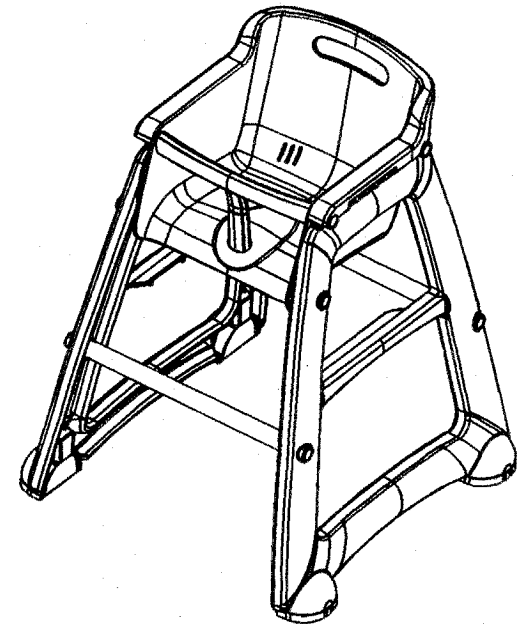
13
STACK
HEIGHT



TRAY ADJUSTMENT
TYP



No.	Description/Materials
1	SEAT-PP
2	LEG, R.H.-PP
3	LEG, L.H.-PP
4	T-BAR-PP
5	SPANNER ASSEMBLY-ALUMINUM
6	FOOT/FOOT COVER-PP



total part wt. 13-1/4 LBS

capacity _____

7814 IS KD VERSION OF 7806

agency approvals ASTM F404 PENDING

miscellaneous WAIST RESTRAINT ASSEMBLY

(D50-7806-00) INCLUDED WITH HIGH CHAIR

RECOMMENDED FOR CHILDREN
6 MONTHS-3 YEARS

Product Specifications



product name HIGH CHAIR W/FEET

product no. 7806/7814 revision 0

product no. 7806/7814