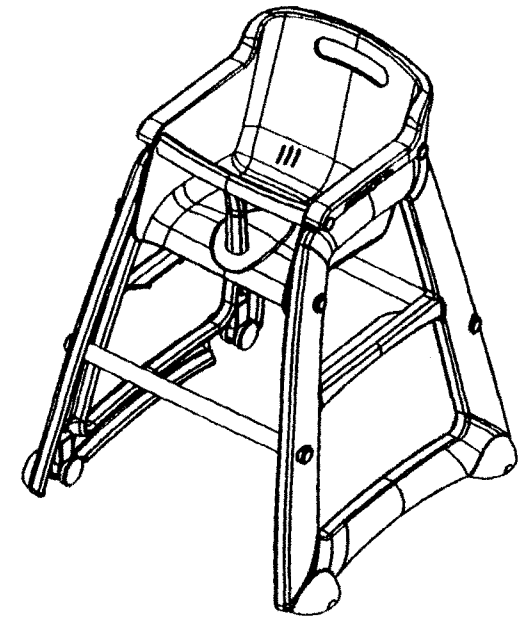


No.	Description/Materials
1	SEAT-PP
2	LEG, R.H.-PP
3	LEG, L.H.-PP
4	T-BAR-PP
5	SPANNER ASSEMBLY-ALUMINUM
6	CASTER W/INSERT



total part wt. 13-1/4 LBS

capacity _____

agency approvals ASTM F404 PENDING

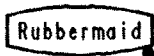
miscellaneous WAIST RESTRAINT ASSEMBLY

(D50-7806-00) INCLUDED WITH HIGH CHAIR

RECOMMENDED FOR CHILDREN

6 MONTHS-3 YEARS

Product Specifications

 RUBBERMAID COMMERCIAL PRODUCTS INC.

product name HIGH CHAIR W/CASTERS

product no. 7805 revision 0

product no. 7805