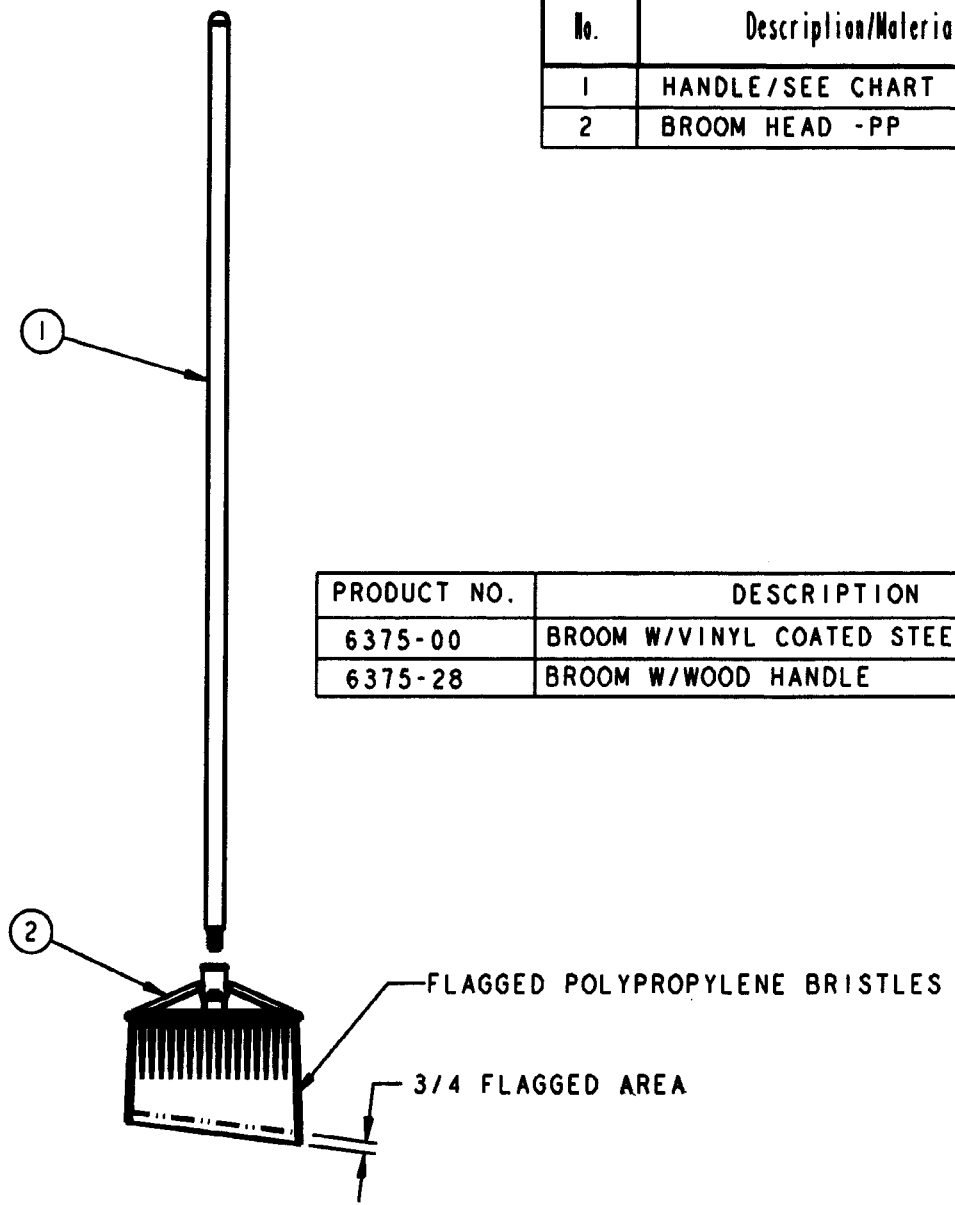
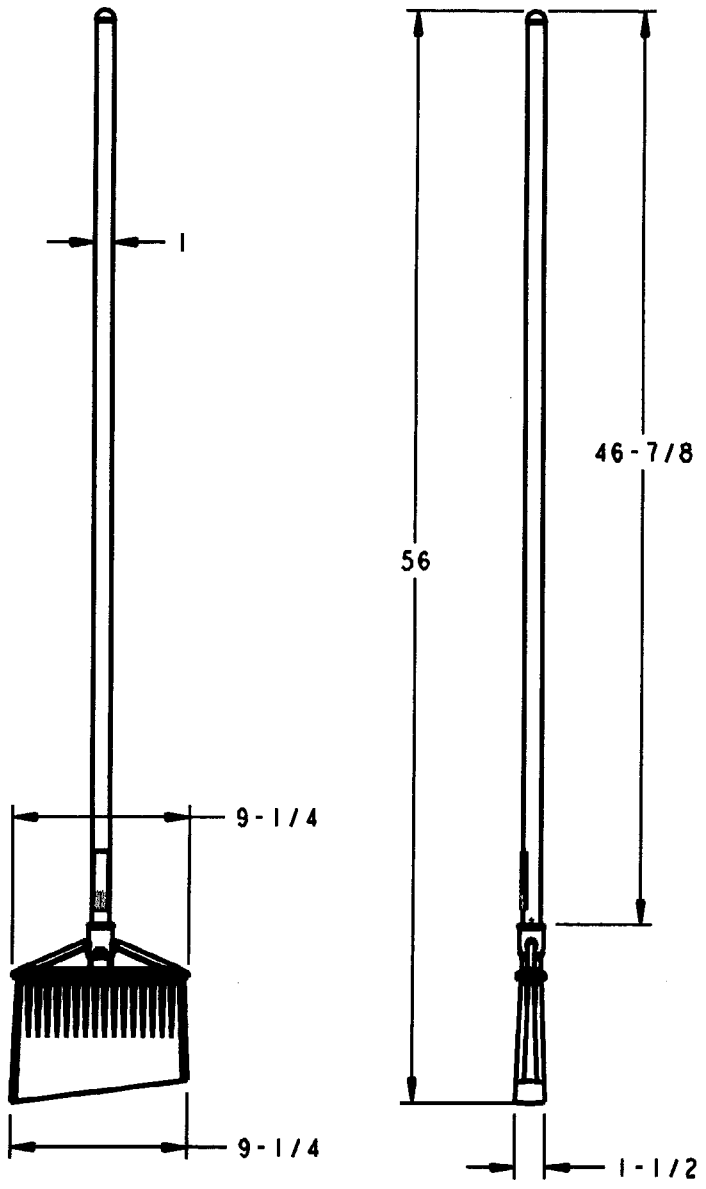


No.	Description/Materials
1	HANDLE/SEE CHART
2	BROOM HEAD -PP



PRODUCT NO.	DESCRIPTION
6375-00	BROOM W/VINYL COATED STEEL HANDLE
6375-28	BROOM W/WOOD HANDLE

total part wt. 1.3 LBS.

capacity _____


agency approvals _____

miscellaneous 6397-00 REPLACEMENT BROOM HEAD

6398-00 REPLACEMENT VINYL COATED STEEL

HANDLE

Product Specifications

 RUBBERMAID COMMERCIAL PRODUCTS INC.

product name BRUTE ANGLE BROOM

product no. 6375 revision 0

product no. 6375