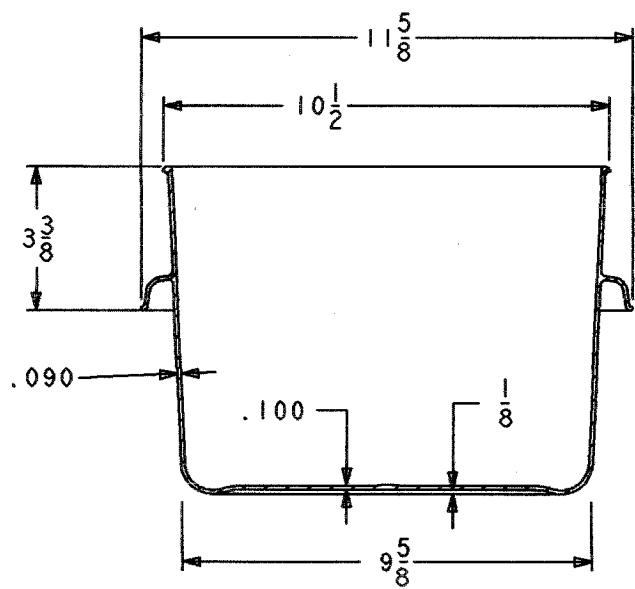
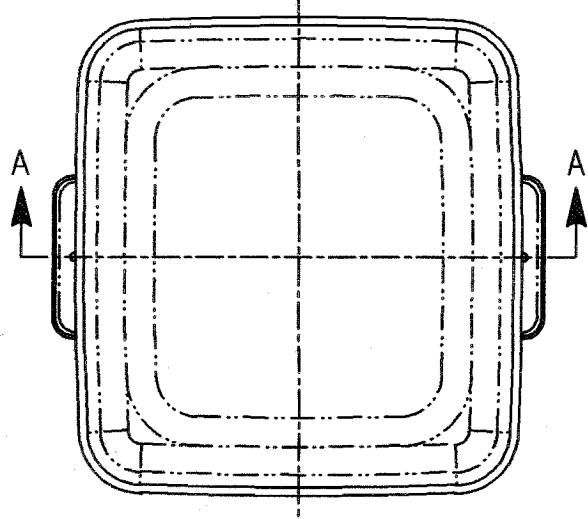
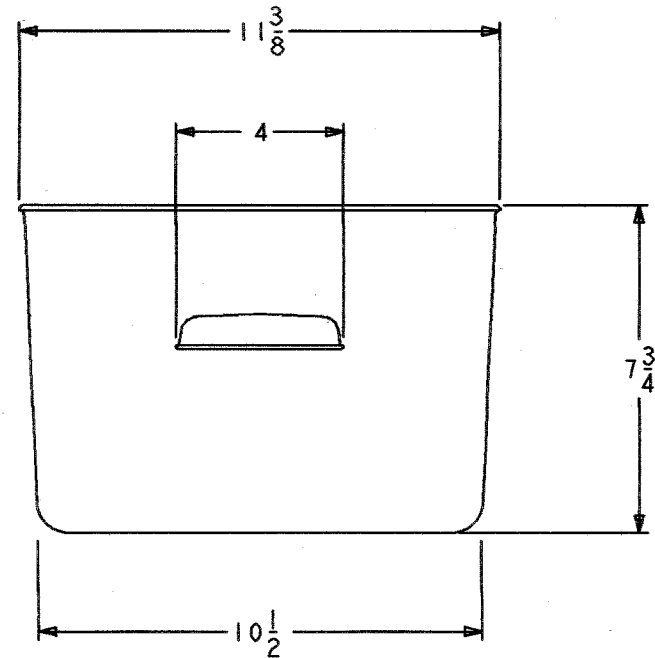


No.	Description/Materials
1	CONTAINER - PC




SECTION A-A



total part wt. 1.6 LBS.
 capacity 12 QTS.

agency approvals NSF STD. #2,
USDA MEAT & POULTRY
 colors _____
 miscellaneous _____

Product Specifications
 **RUBBERMAID COMMERCIAL PRODUCTS INC.**
 product name 12 QT. RECTANGULAR CONTAINER
 product no. 6312 revision 2

product no. 6312