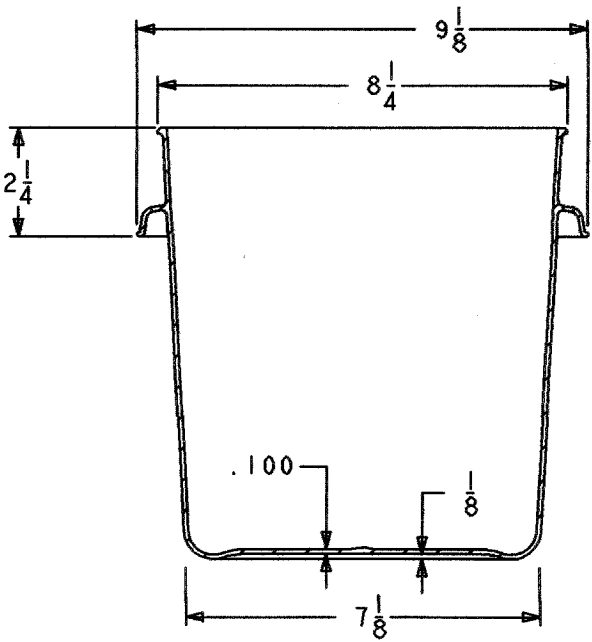
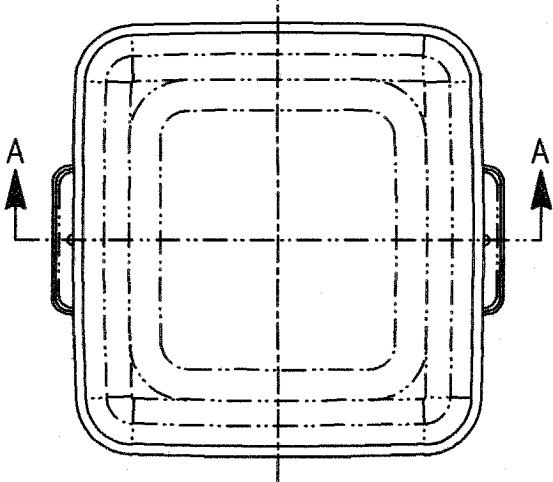
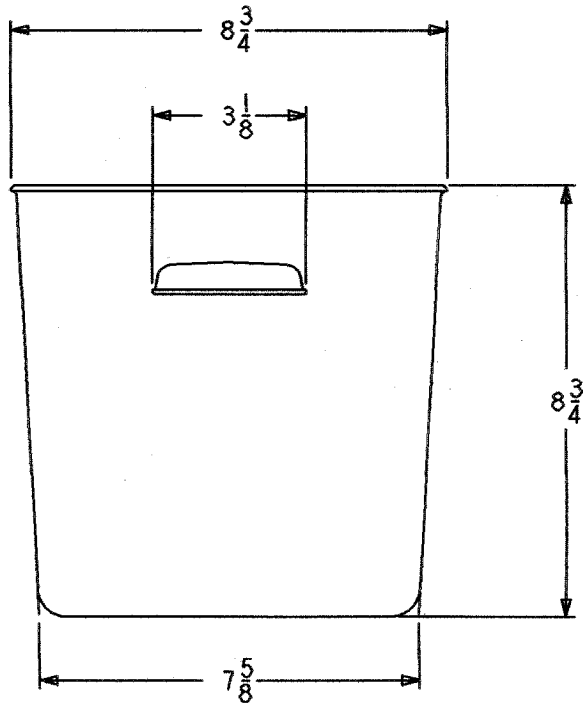


No.	Description/Materials
1	CONTAINER - PC



SECTION A-A



total part wt. 1.3 LBS.

capacity 8 QTS.

agency approvals NSF STD. #2,
USDA MEAT & POULTRY

colors _____

miscellaneous _____

Product Specifications



product name 8 QT. RECTANGULAR
CONTAINER

product no. 6308 revision 3

product no. 6308