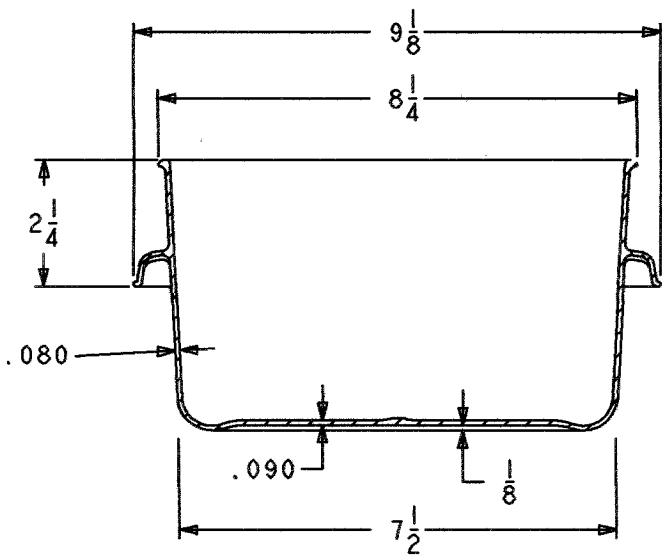
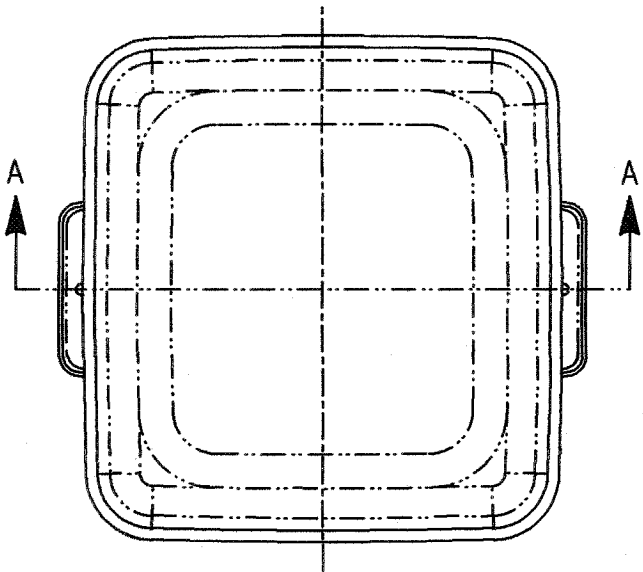
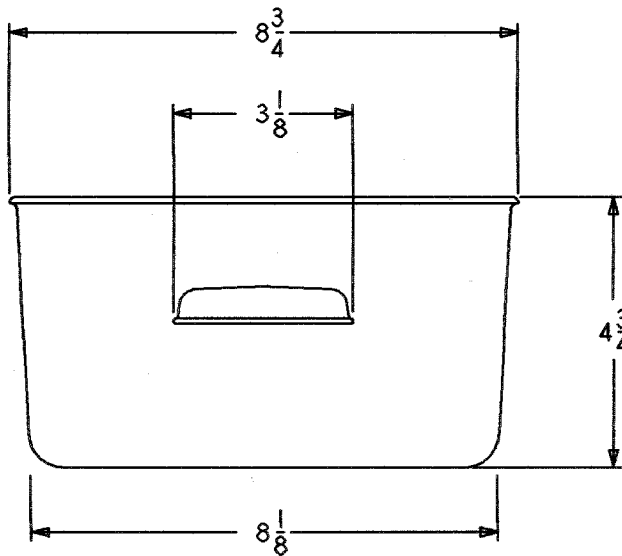


No.	Description/Materials
I	CONTAINER - PC



SECTION A-A



total part wt. 12 OZS.

capacity 4 QTS.

agency approvals NSF STD. #2,
USDA MEAT & POULTRY)

colors _____

miscellaneous _____

Product Specifications



product name 4 QT. RECTANGULAR
CONTAINER

product no. 6304 revision 2

product no. 6304