


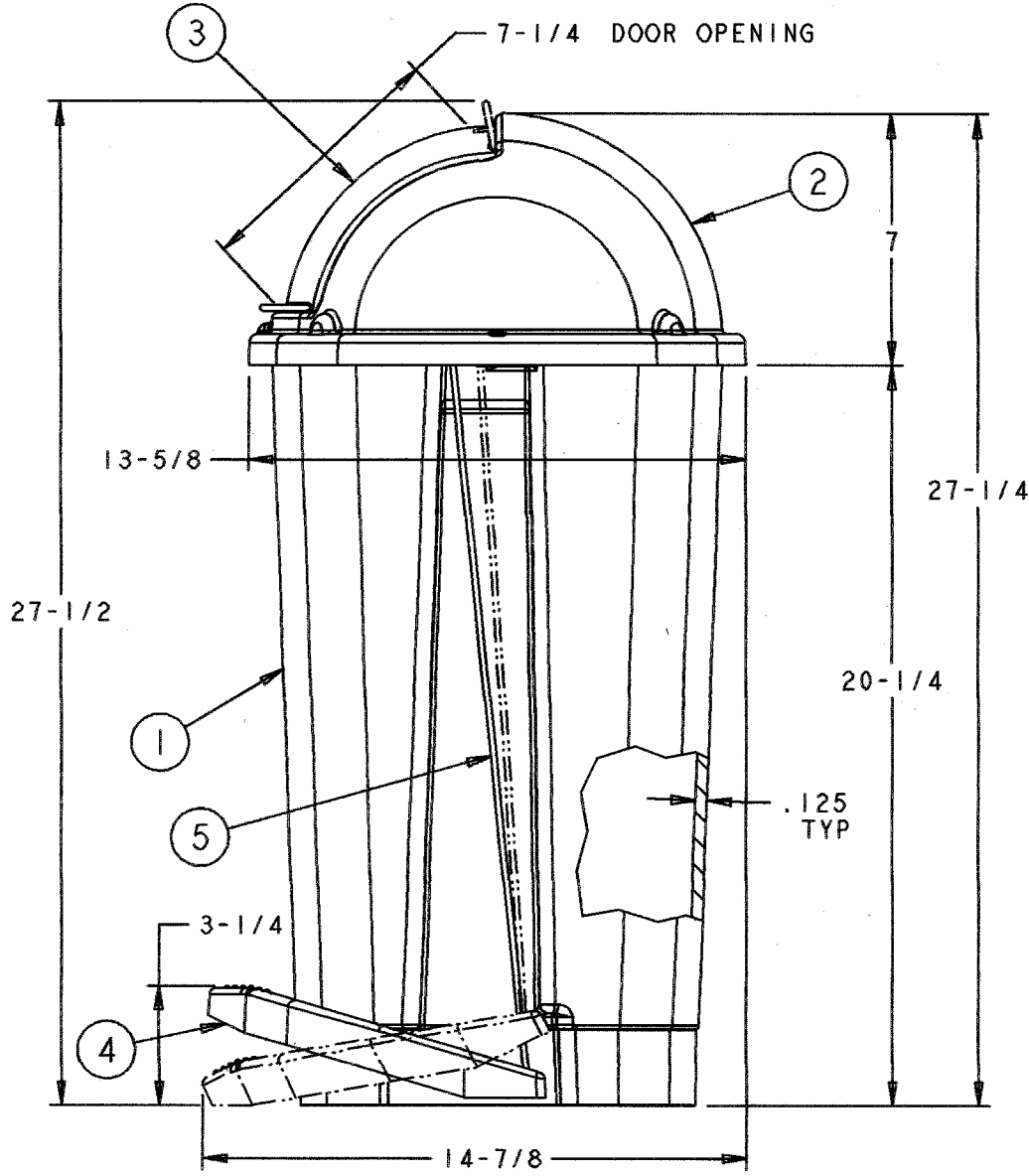
No.	Description/Materials
1	ROLLTOP BASE - PP
2	ROLLTOP HOOD - PP
3	ROLLTOP DOOR - PP
4	ROLLTOP PEDAL - PP
5	LIFTER - STAINLESS STEEL

"ASSISTS IN COMPLYING WITH OSHA
REGULATION 29 CFR 1910.1030,
OCCUPATIONAL EXPOSURE TO BLOOD-
BORNE PATHEOGENS"

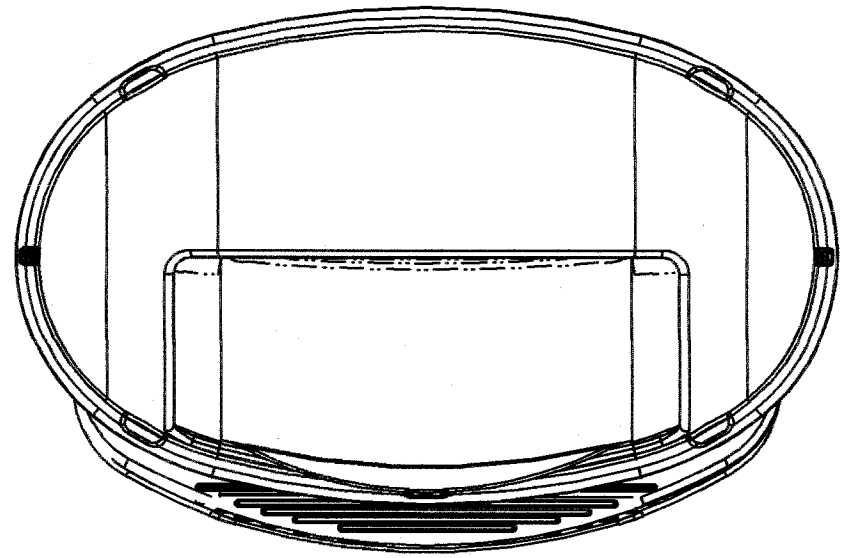
SHEET 1 OF 2

<p>total part wt. <u>9 LBS</u></p> <p>capacity <u>55.2 LITERS / 14.4 GALS</u></p>	<p>agency approvals <u>FM 6921, CSFM</u></p> <p>miscellaneous <u>USE POLYLINER P/N 5003</u></p> <p>ITEM 5, LIFTER DOES NOT SHOW IN FRONT VIEW</p> <p>INSIDE TOP DIMS: 12 X 17 7/8</p> <p>INSIDE BOTTOM DIMS: 10 3/4 X 16 5/8</p>	<p>Product Specifications</p> <p> RUBBERMAID COMMERCIAL PRODUCTS INC.</p> <p>product name <u>PEDAL ROLLTOP</u></p> <p>product no. <u>6177</u> revision <u>1</u></p>
---	--	--

product no. 6177



No.	Description/Materials
1	ROLLTOP BASE - PP
2	ROLLTOP HOOD - PP
3	ROLLTOP DOOR - PP
4	ROLLTOP PEDAL - PP
5	LIFTER - STAINLESS STEEL



TOP VIEW

SHEET 2 OF 2


total part wt. 9 LBS

capacity 55.2 LITERS / 14.4 GALS

agency approvals FM 6921, CSFM

miscellaneous USE POLYLINER P/N 5003

Product Specifications

 RUBBERMAID COMMERCIAL PRODUCTS INC.

product name PEDAL ROLLTOP

product no. 6177 revision 1

product no. 6177