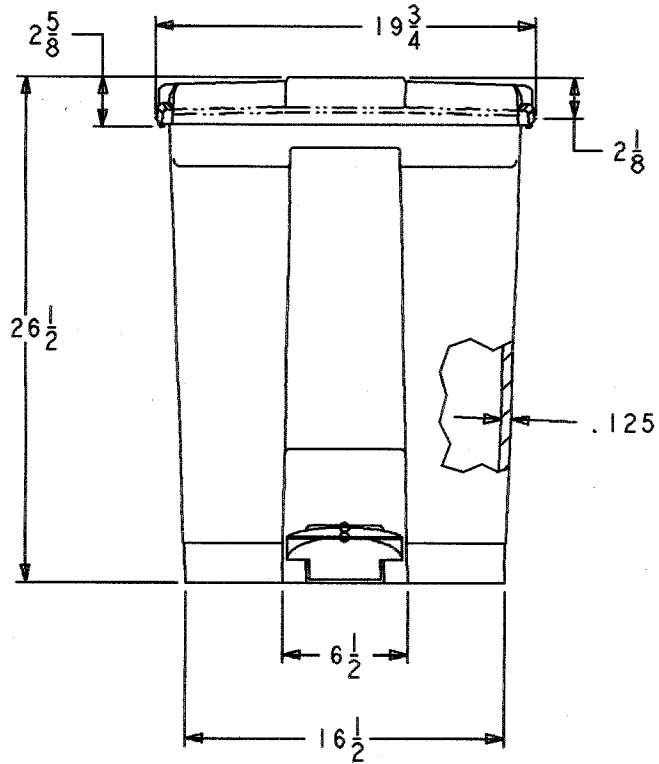


No.	Description/Materials
1	BASE - PE
2	LID - PP



total part wt. 10 LBS - 4 OZS

capacity 18 GALLONS

agency approvals FM 6921, CSFM

colors _____

miscellaneous _____

Product Specifications

Rubbermaid RUBBERMAID
COMMERCIAL
PRODUCTS INC.

product name STEP-CAN W/ LID

product no. 6145 revision 2

product no. 6145