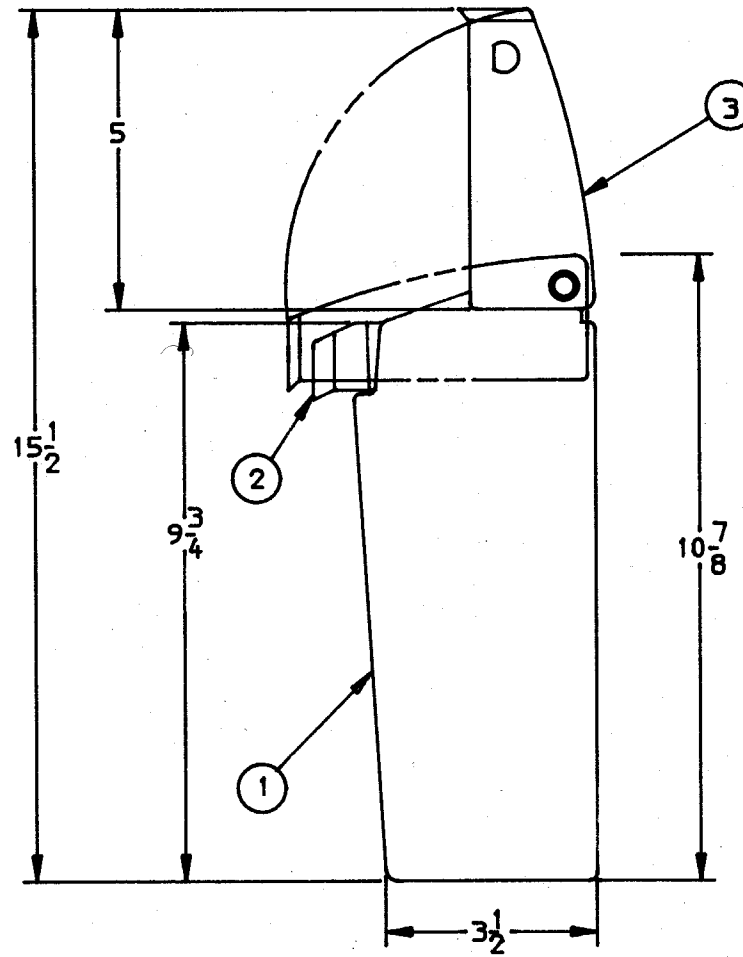
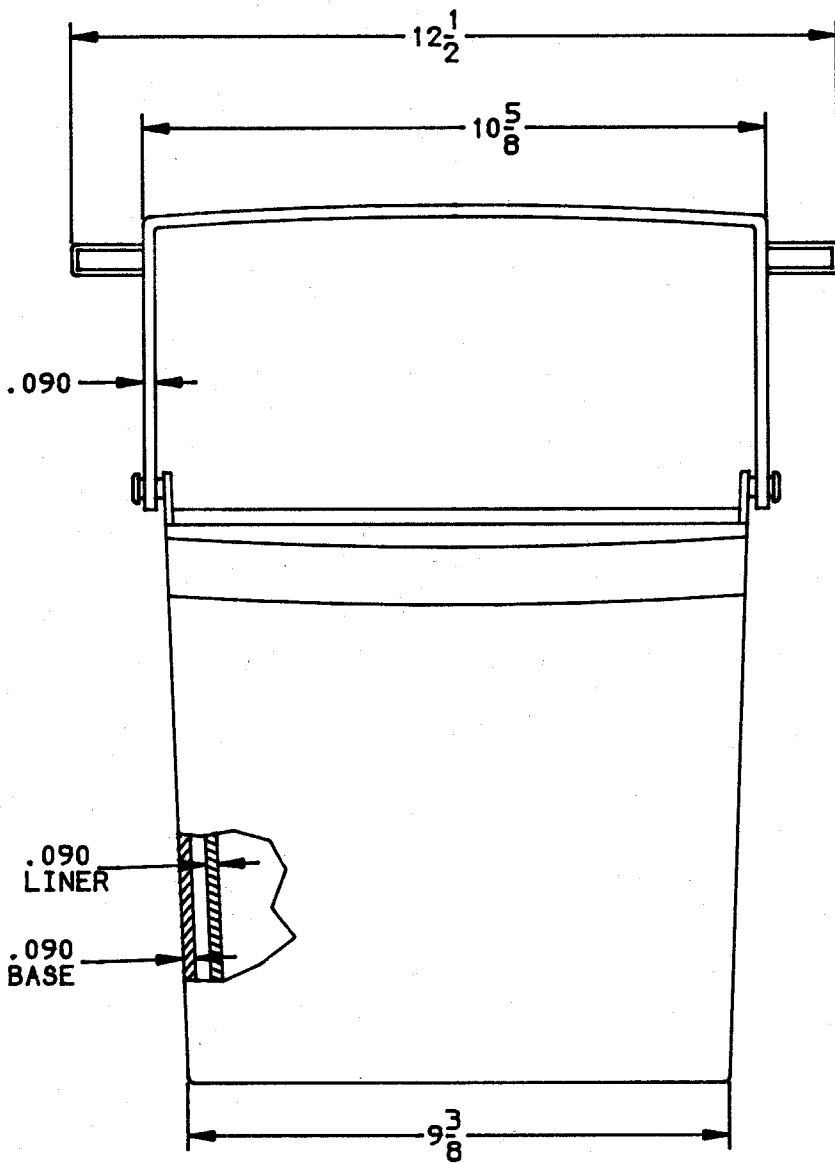


No.	Description/Materials
1	BASE - PE
2	LINER - PE
3	LID - PE



total part wt. 2.1 LBS.

capacity \_\_\_\_\_

agency approvals \_\_\_\_\_

colors \_\_\_\_\_

miscellaneous INCLUDES ACCESSORY KIT & MOUNTING

HARDWARE

## Product Specifications

product name



SANITARY NAPKIN RECEPTACLE

product no. 6140

revision 2

product no.

6140