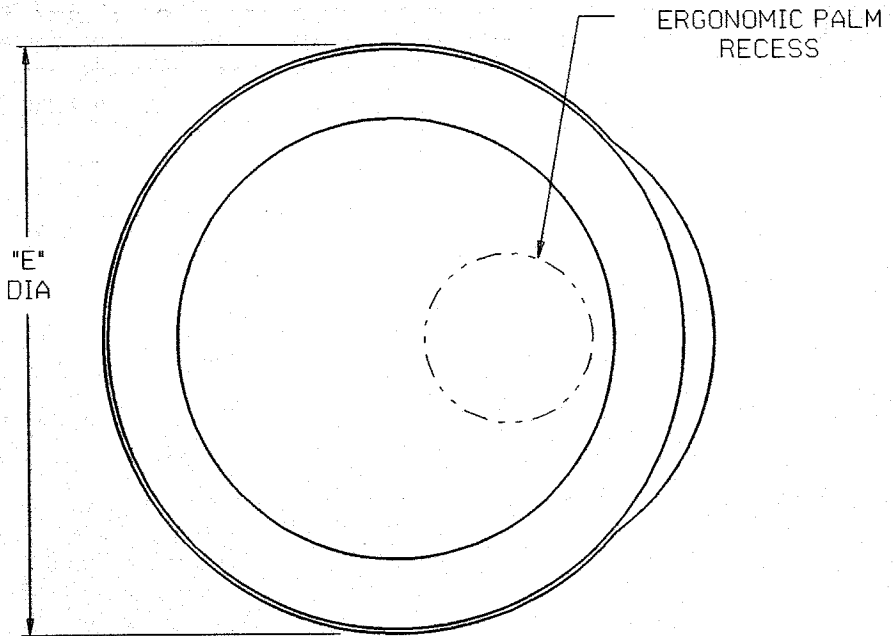
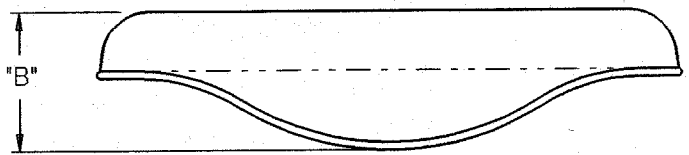
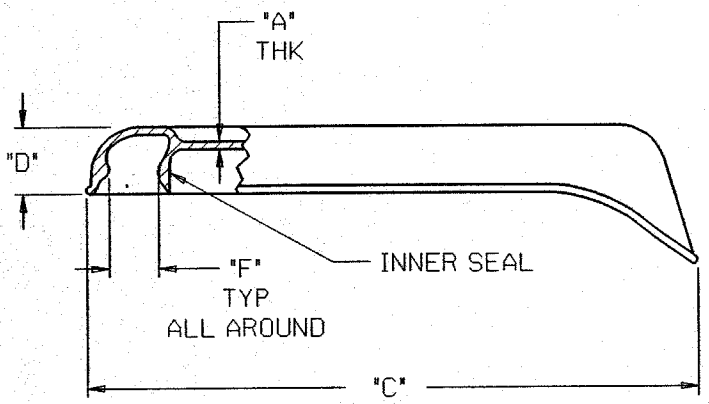


No.	Description/Materials
1	LID - PE



PART No.	FITS PAN	WT OZS	"A" THK	"B" DIM	"C" DIM	"D" DIM	"E" DIA	"F" DIA
5722	2 QT. 4 QT.	2.5	.060	7 8	8 <sup>15</sup> / <sub>16</sub>	1 2	8 <sup>13</sup> / <sub>16</sub>	1 2
5725	6 QT. 8 QT.	3.4	.060	1	10 <sup>7</sup> / <sub>16</sub>	1 2	10 <sup>5</sup> / <sub>16</sub>	1 2
5730	12 QT. 18 QT. 22 QT.	7.4	.060	1 <sup>13</sup> / <sub>16</sub>	13 <sup>3</sup> / <sub>4</sub>	1 2	13 <sup>1</sup> / <sub>2</sub>	1 2



total part wt. SEE CHART

capacity \_\_\_\_\_

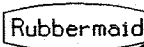
\_\_\_\_\_

agency approvals NSF

miscellaneous \_\_\_\_\_

\_\_\_\_\_

### Product Specifications

 RUBBERMAID COMMERCIAL PRODUCTS INC.

product name SOFT LIDS - STORAGE CONTAINERS

product no. 5722 / CHART revision 1

product no. 5722/CHART