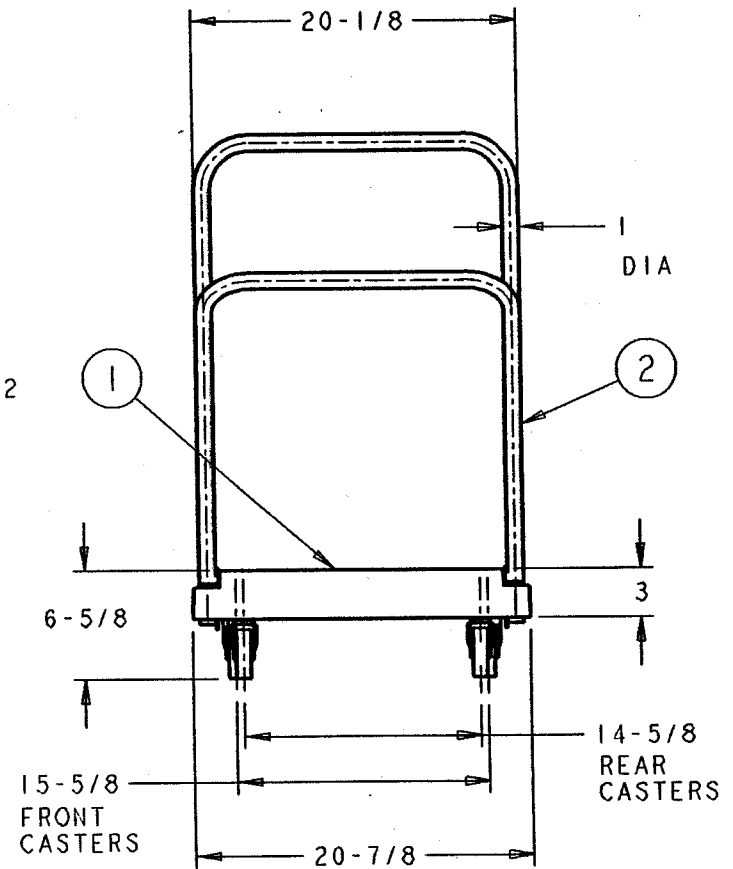
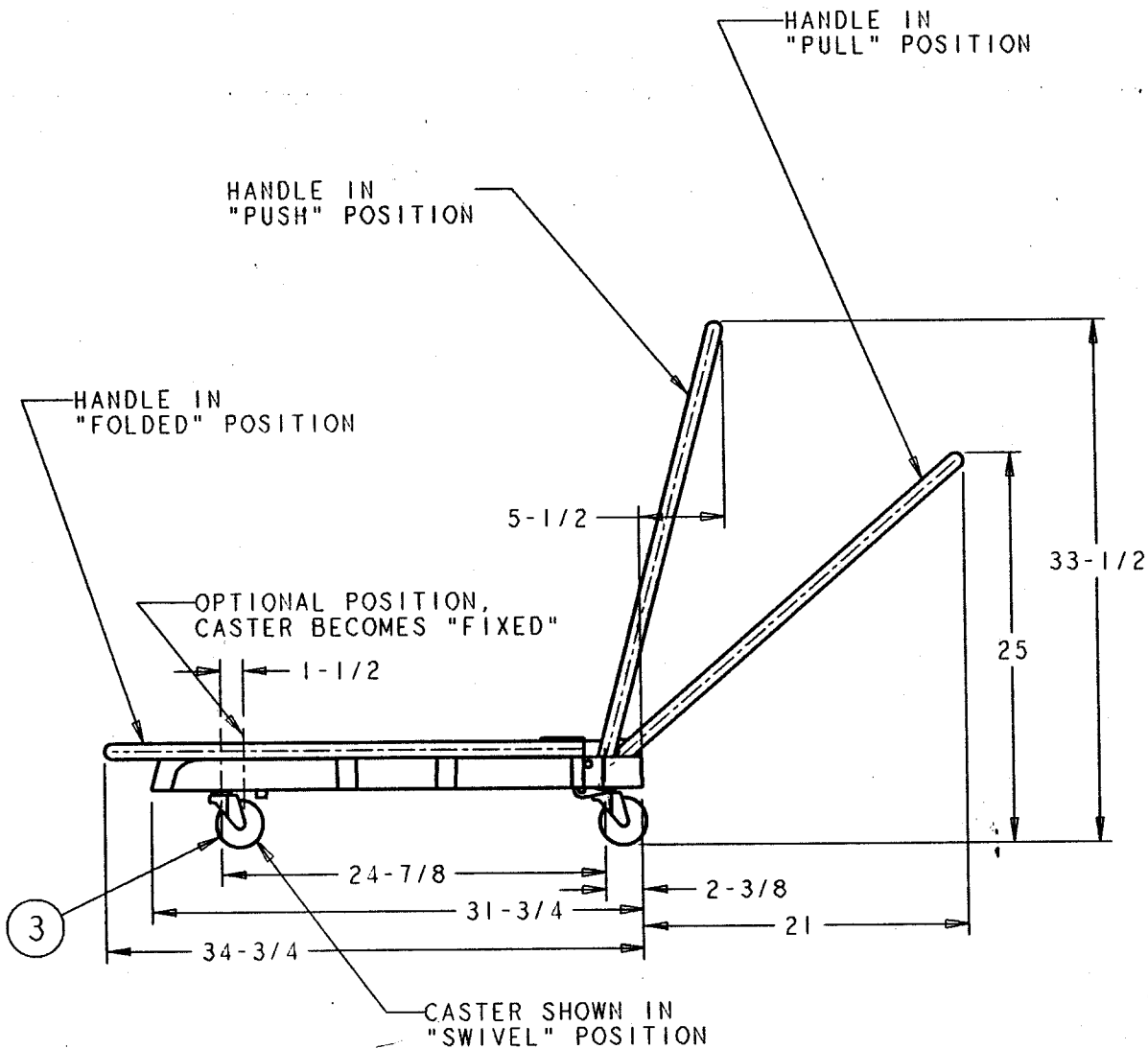
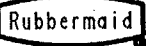


No.	Description/Materials
1	BODY - FOAMED PE
2	HANDLE - STEEL
3	CASTER - STL/RUBBER



total part wt. <u>19 LBS.</u>	agency approvals _____	<b>Product Specifications</b>  RUBBERMAID COMMERCIAL PRODUCTS INC. "TRIPLE TROLLEY" (MINI-PLATFORM TRUCK)
capacity <u>250 LBS. LOAD</u> (EVENLY DISTRIBUTED)	miscellaneous <u>"UTILITY" VERSION WITH FOUR</u> <u>3" SWIVEL CASTERS</u>	
_____	_____	product no. <u>4400</u> revision <u>0</u>

product no. 4400