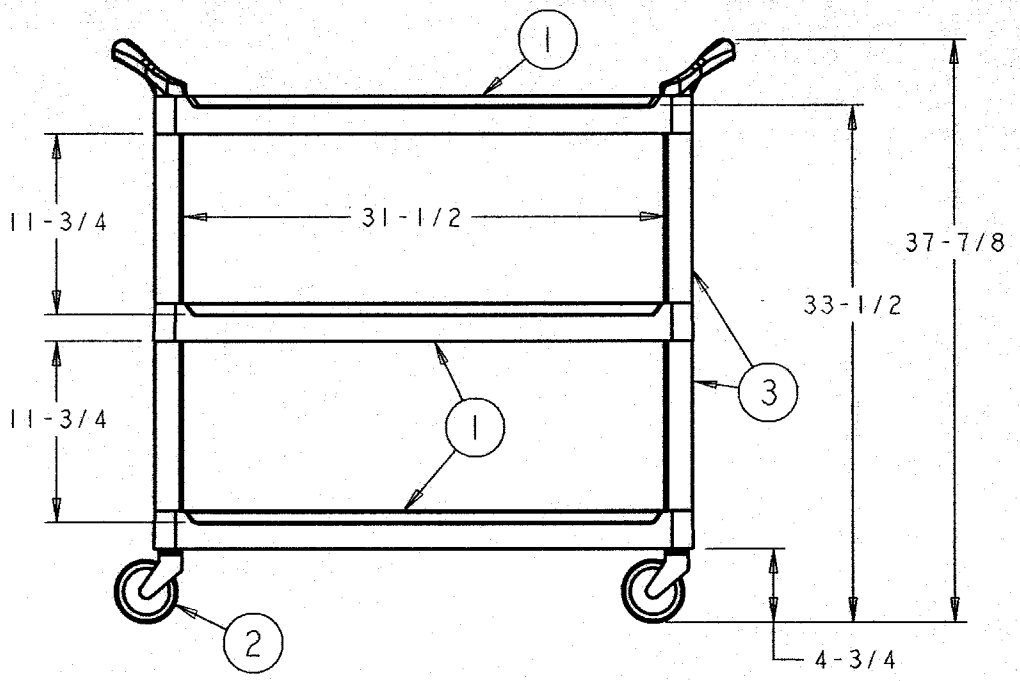
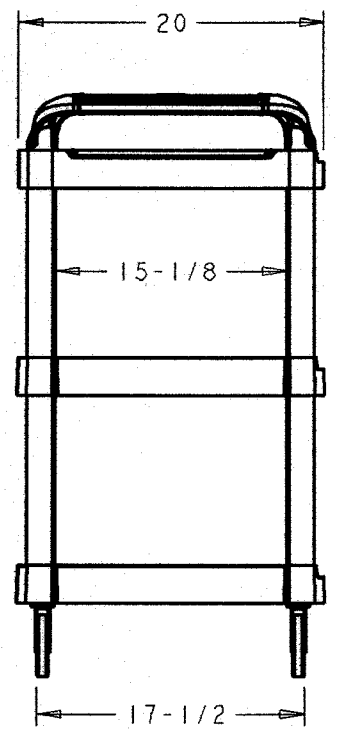
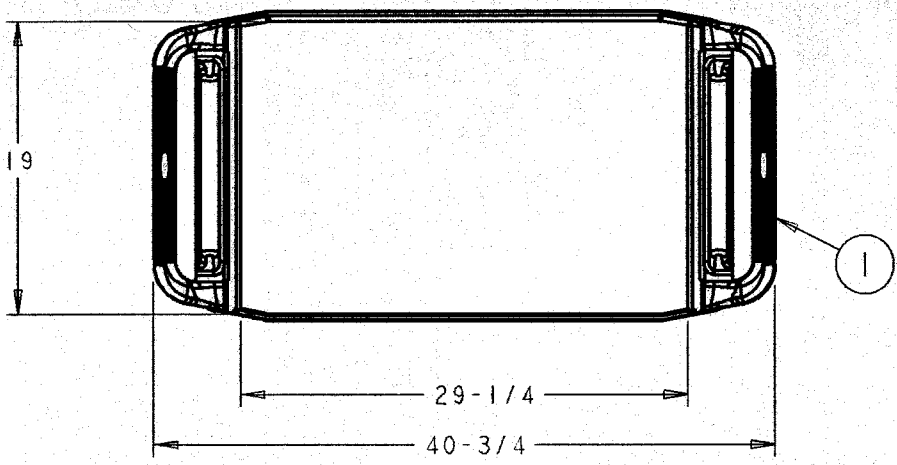
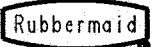


No.	Description/Materials
1	CART - PP WEB
2	4" DIA. SWVL. CSTR.-RBR/STL
3	UPRIGHT - ALUMINUM



total part wt.	37 LBS. - 2 OZS.
capacity	100 LBS. /SHELF
	300 LBS. TOTAL

agency approvals	_____
miscellaneous	CSTRS. ARE NON-MARKING

Product Specifications	
 RUBBERMAID COMMERCIAL PRODUCTS INC.	
product name	X-tra CART
product no.	4091 revision 0

product no. 4091