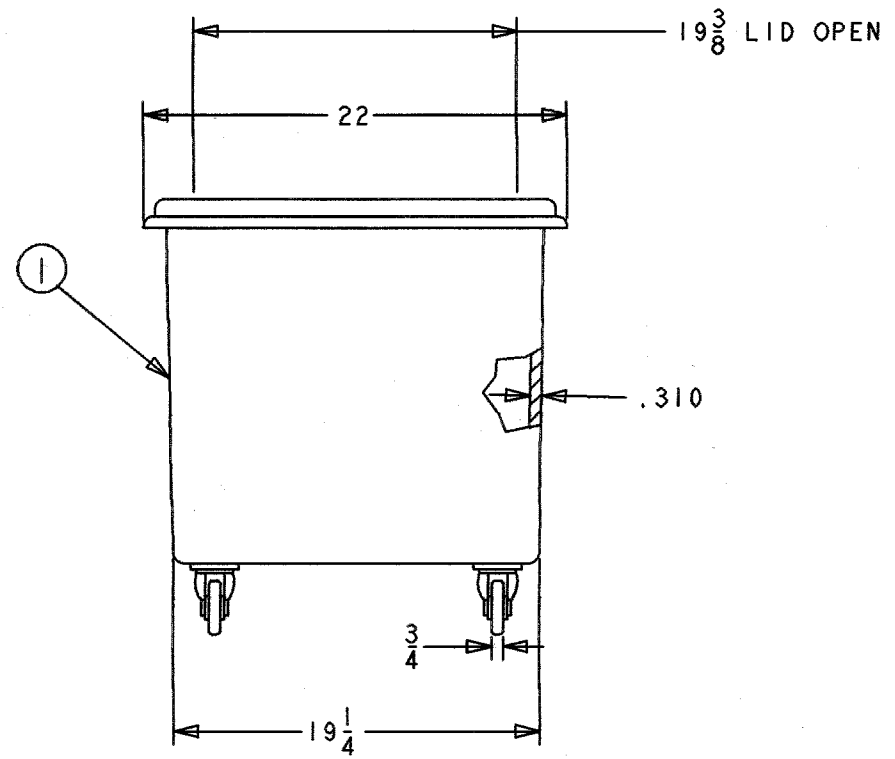
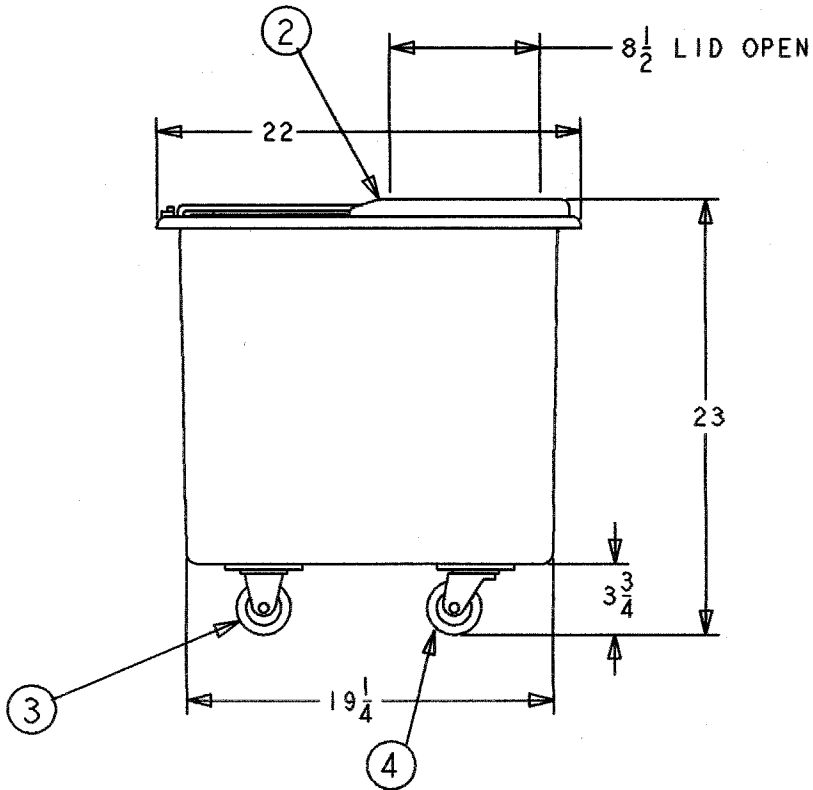
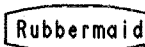


No.	Description/Materials
1	BIN - PP
2	LID - PC
3	3" DIA. RGD CSTR. - RBR/STL
4	3" DIA. SWVL CSTR. - RBR/STL



total part wt. 27 LBS.  
 capacity 28 GALS.  
3.8 CU. FT.

agency approvals NSF STD. #2, USDA MEAT & POULTRY  
 miscellaneous \_\_\_\_\_

Product Specifications  
 RUBBERMAID COMMERCIAL PRODUCTS INC.  
 product name INGREDIENT BIN  
 product no. 3601 revision 2

product no. 3601