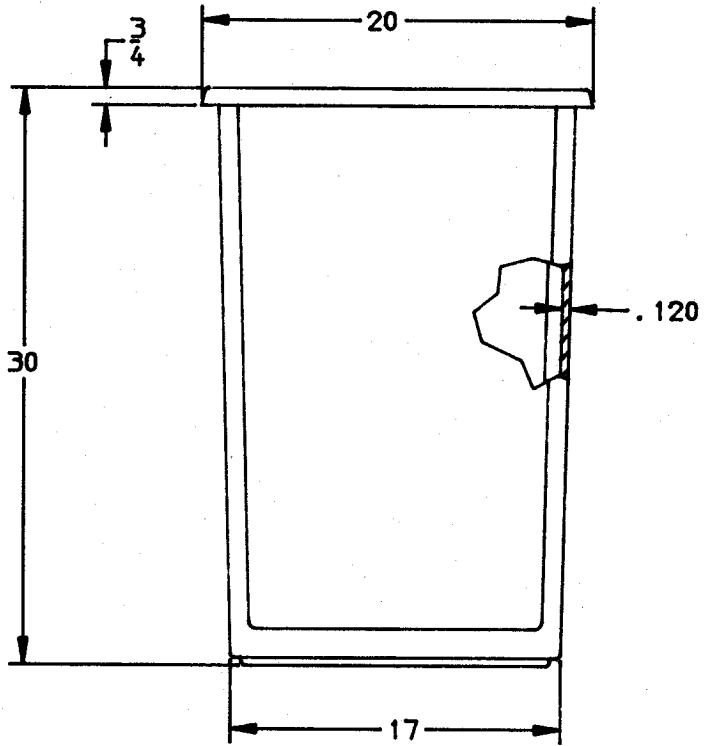



No.	Description/Materials
1	RECEPTACLE - PE



total part wt. <u>7.0 LBS.</u>	agency approvals _____	<h2 style="text-align: center;">Product Specifications</h2> <div style="text-align: right;">  RUBBERMAID COMMERCIAL PRODUCTS INC. </div>	
capacity <u>23 GALS.</u>	colors _____		product name _____
_____	miscellaneous _____		<p style="text-align: center;">WASTE RECEPTACLE</p> <hr/> product no. <u>3540</u> revision <u>4</u>

product no. **3540**