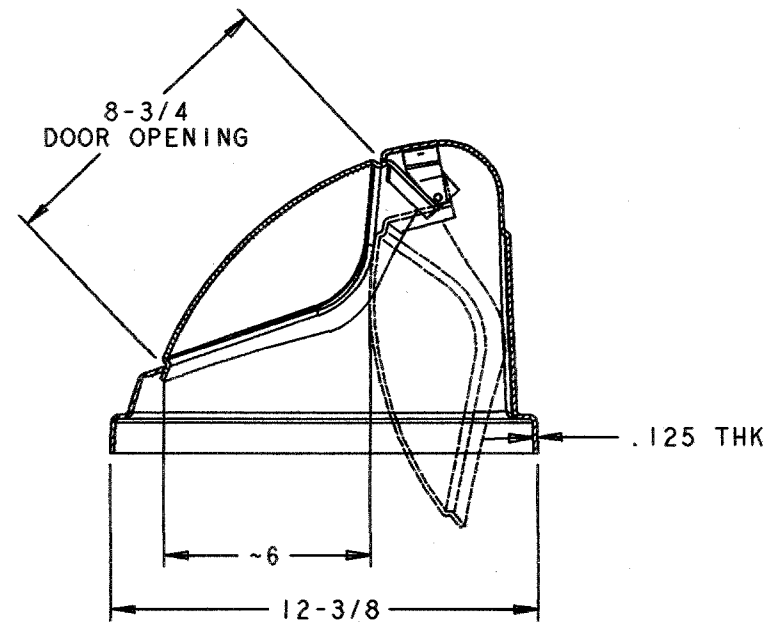
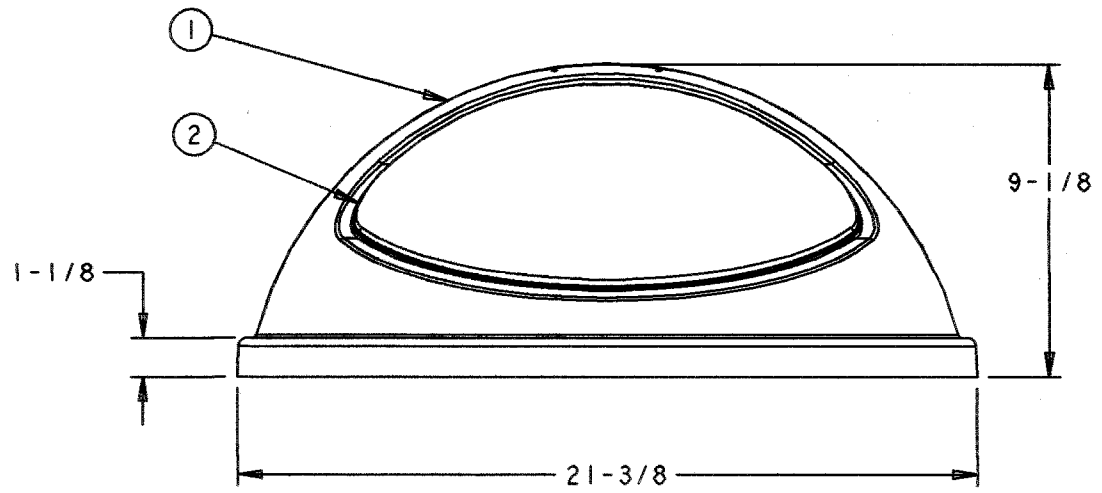
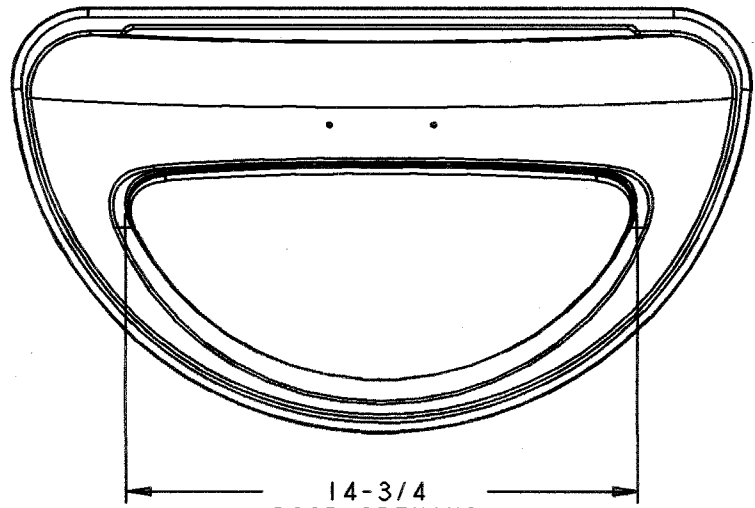



No.	Description/Materials
1	TOP - PE
2	DOOR - PE



total part wt. 2 LBS
 capacity _____

agency approvals CSFM WHEN USED WITH 3520
 miscellaneous FITS 3520 CONTAINER

Product Specifications
 RUBBERMAID COMMERCIAL PRODUCTS INC.
 product name STYLELINE HALF ROUND TOP
 product no. 3620 revision 1

product no. 3620