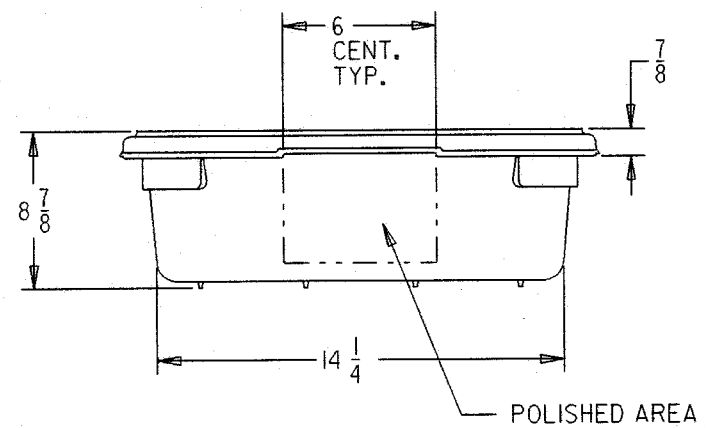
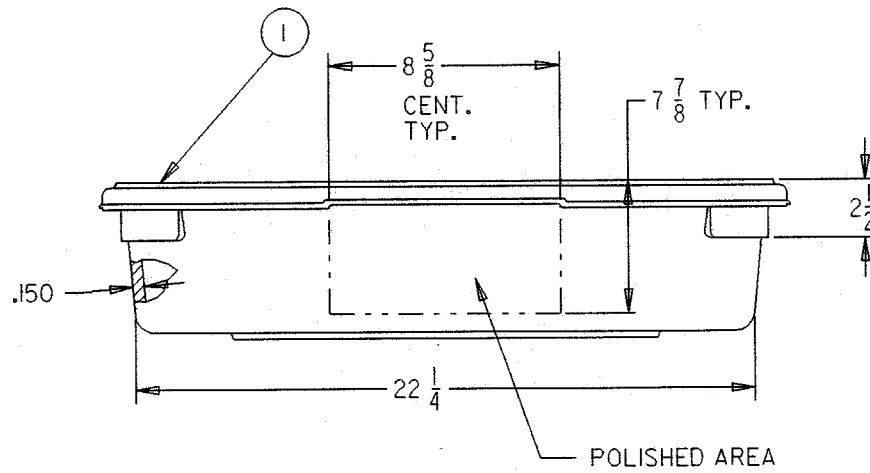
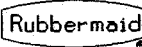


No.	Description/Materials
1	FOOD BOX - PE



total part wt.	5.0 LBS.
capacity	12.5 GALS.
	47.3 L.

agency approvals	USDA, FDA
miscellaneous	

Product Specifications	
 <small>RUBBERMAID COMMERCIAL PRODUCTS INC.</small>	
product name	FOOD BOX
product no.	3500 revision 8

product no. 3500