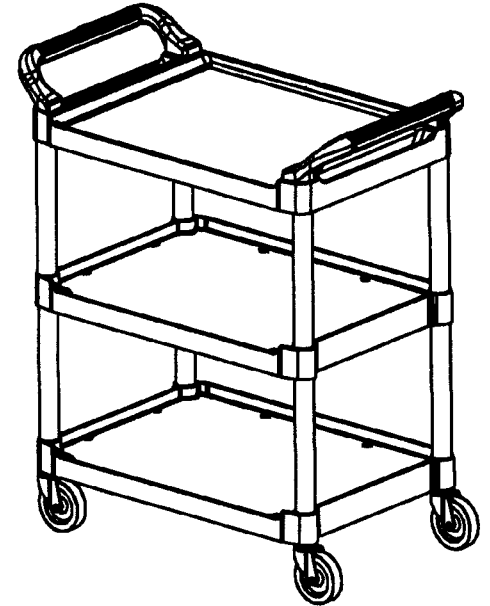
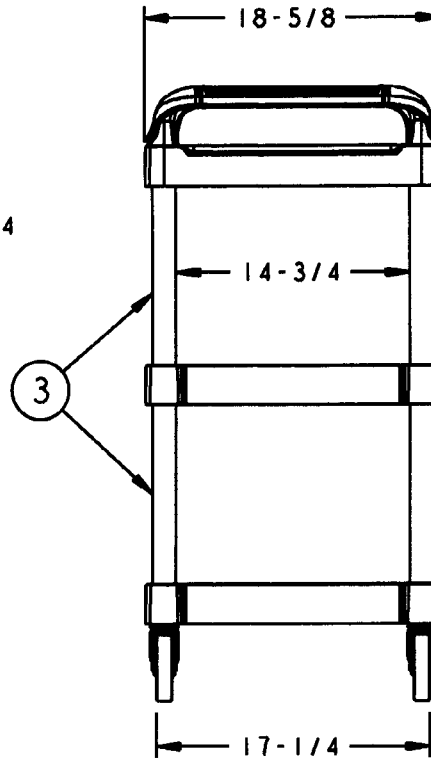
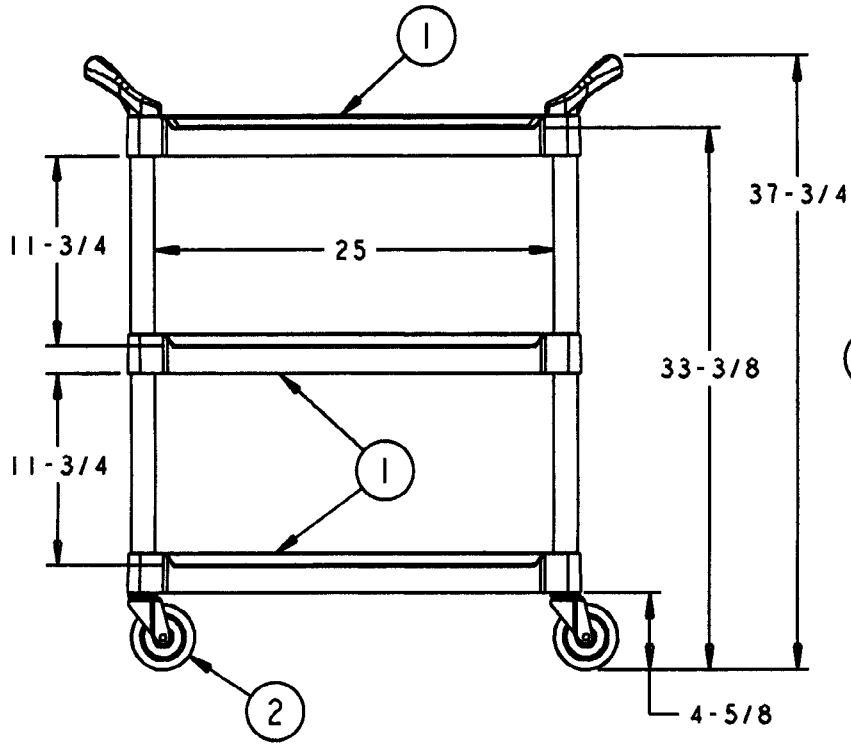
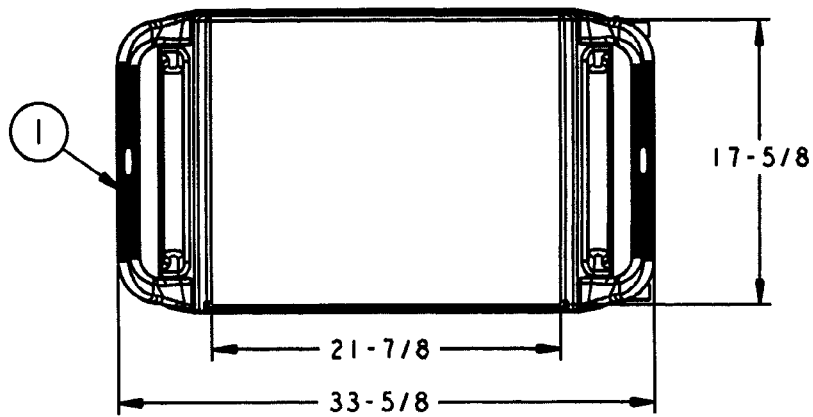



No.	Description/Materials
1	CART - PP WEB
2	4" DIA SWVL CSTR - RBR/STL
3	LEG - ALUMINUM



total part wt. <u>26 LBS-15 OZS</u>	agency approvals _____	Product Specifications  RUBBERMAID COMMERCIAL PRODUCTS INC. product name <u>MINI X-TRA CART</u> product no. <u>3424-88</u> revision <u>0</u>
capacity <u>67 LBS/SHELF</u>	miscellaneous <u>CASTERS ARE NON-MARKING</u>	
<u>200 LBS TOTAL</u>	_____	

product no. 3424-88