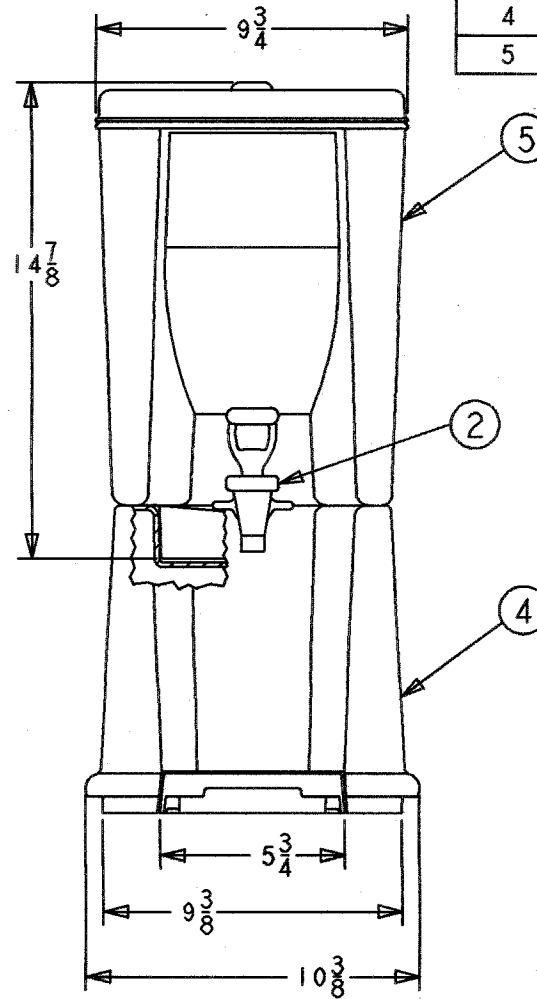
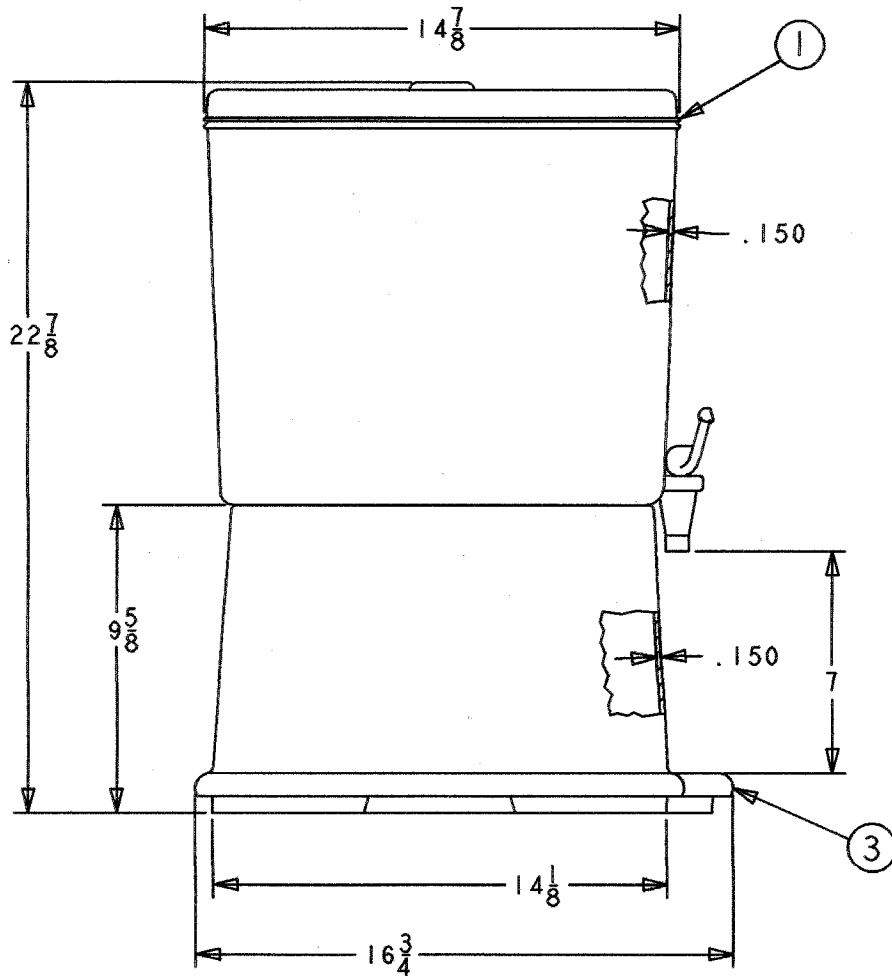
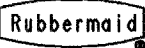


No.	Description/Materials
1	LID - ABS
2	SPIGOT ASSEMBLY - NYLON
3	TRAY - ABS
4	BASE - ABS
5	TANK - PC



total part wt. 10.1 LBS.  
 capacity 5 GAL.  
 \_\_\_\_\_  
 \_\_\_\_\_

agency approvals NSF STD. #18  
 miscellaneous \_\_\_\_\_  
 \_\_\_\_\_  
 \_\_\_\_\_

Product Specifications  
 RUBBERMAID COMMERCIAL PRODUCTS INC.  
 product name BEVERAGE DISPENSER  
 product no. 3359 revision 4

product no. 3359