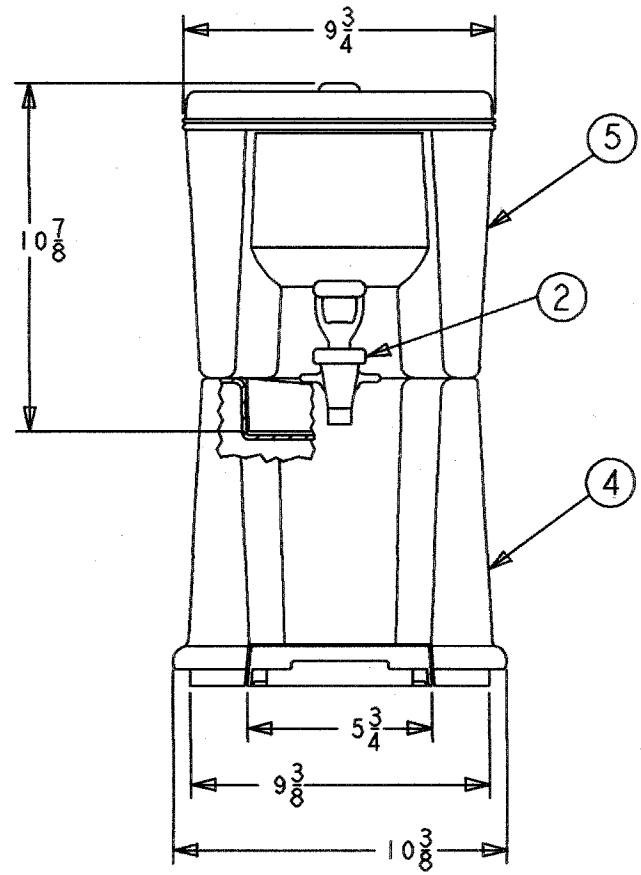
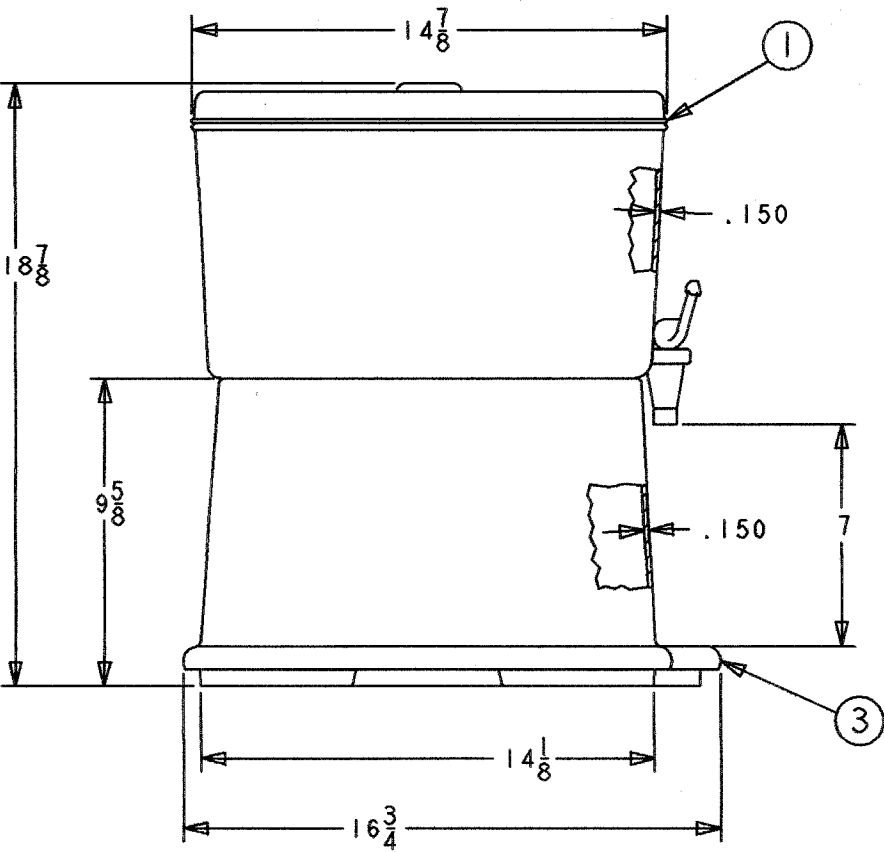


No.	Description/Materials
1	LID - ABS
2	SPIGOT ASSEMBLY - NYLON
3	TRAY - ABS
4	BASE - ABS
5	TANK - PC



total part wt. 8.9 LBS.

capacity 3 GAL.

agency approvals NSF STD. #18

miscellaneous \_\_\_\_\_

Product Specifications



product name BEVERAGE DISPENSER

product no. 3358 revision 4

Product no. 3358