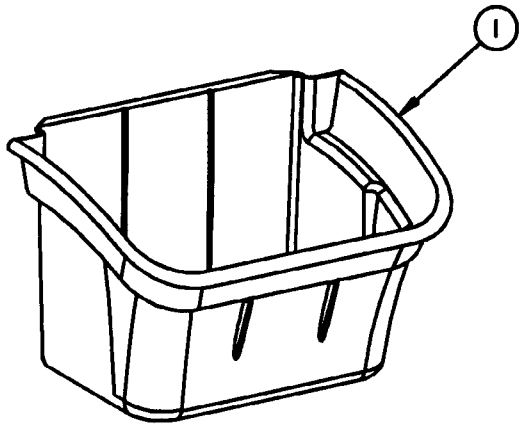
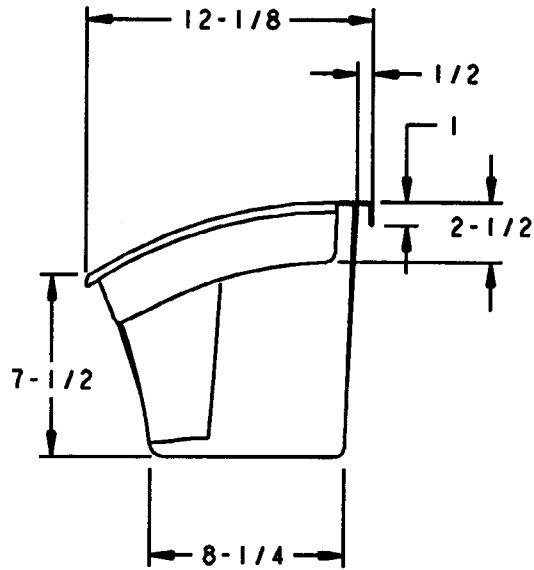
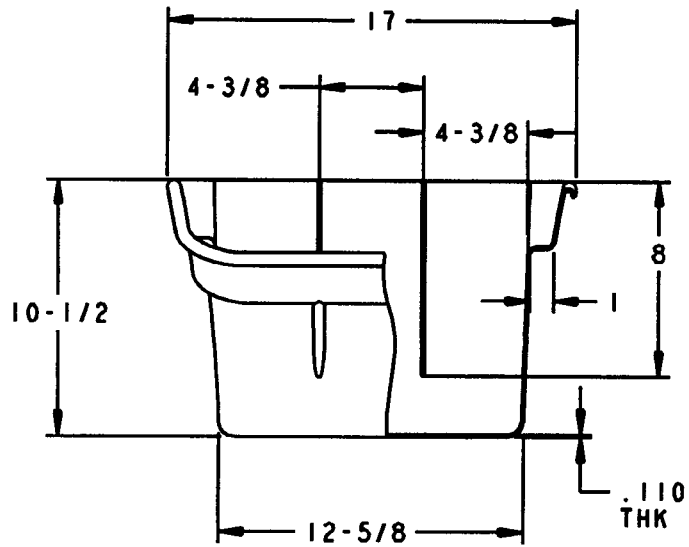
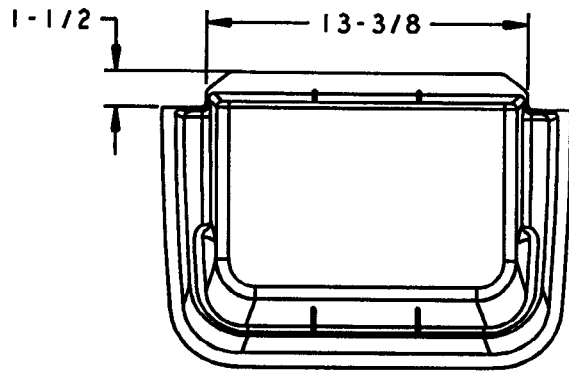


No.	Description/Materials
1	SILVERWARE BIN - HDPE



<p>total part wt. <u>2.0 LBS</u></p> <p>capacity <u>TO OVERFLOW: 3.7 GAL</u> <u>(14.00 LITERS)</u></p>	<p>agency approvals _____</p> <p>miscellaneous <u>FITS THE FOLLOWING CARTS: 3355, 3421</u> <u>3424, 4091, 4093, 4094, 4095, 4096, 6190</u> <u>6192, 6198</u></p>	<p>Product Specifications</p> <p><b>Rubbermaid</b> RUBBERMAID COMMERCIAL PRODUCTS INC.</p> <p>product name <u>SILVERWARE BIN</u></p> <p>product no. <u>3354</u> revision <u>0</u></p>
--	--	---

product no. 3354