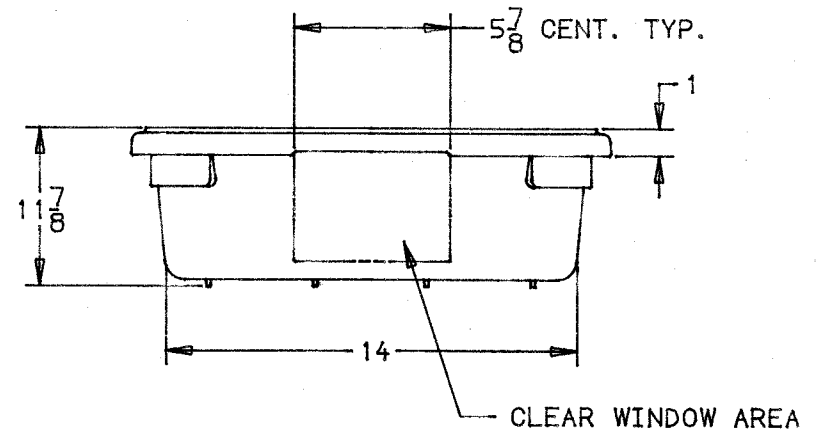
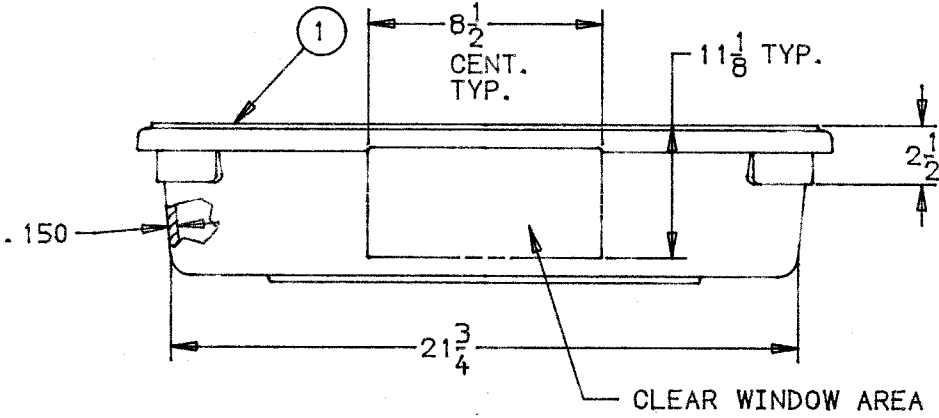
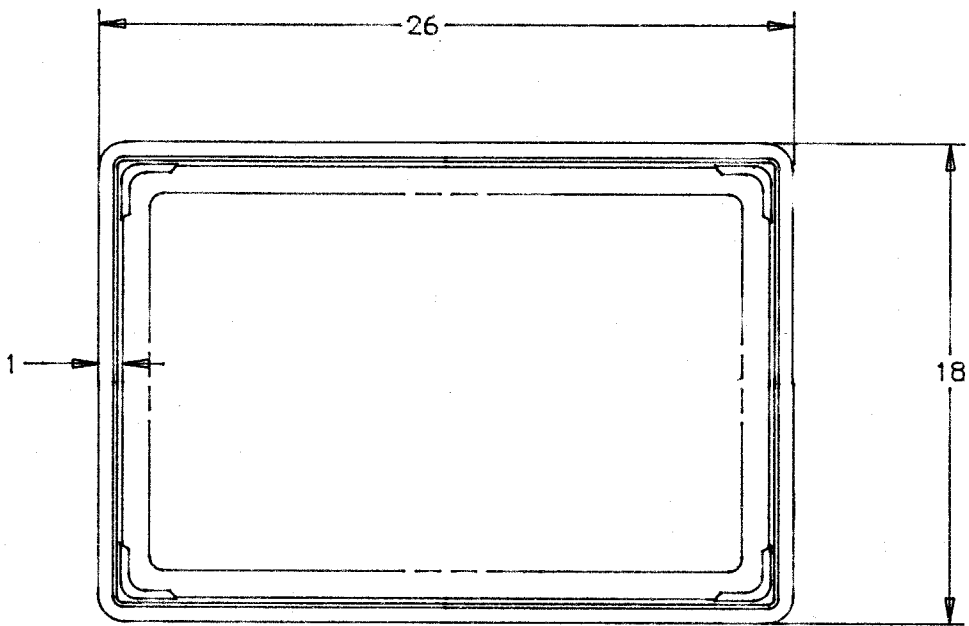



No.	Description/Materials
1	FOOD BOX - PC



total part wt. 8.4 LBS.  
 capacity 16.5 GALS.  
62.4 L.

agency approvals USDA. FDA. NSF  
 colors \_\_\_\_\_  
 miscellaneous \_\_\_\_\_

**Product Specifications**

product name  RUBBERMAID COMMERCIAL PRODUCTS INC.

FOOD BOX

product no. 3328 revision 2

product no. 3328