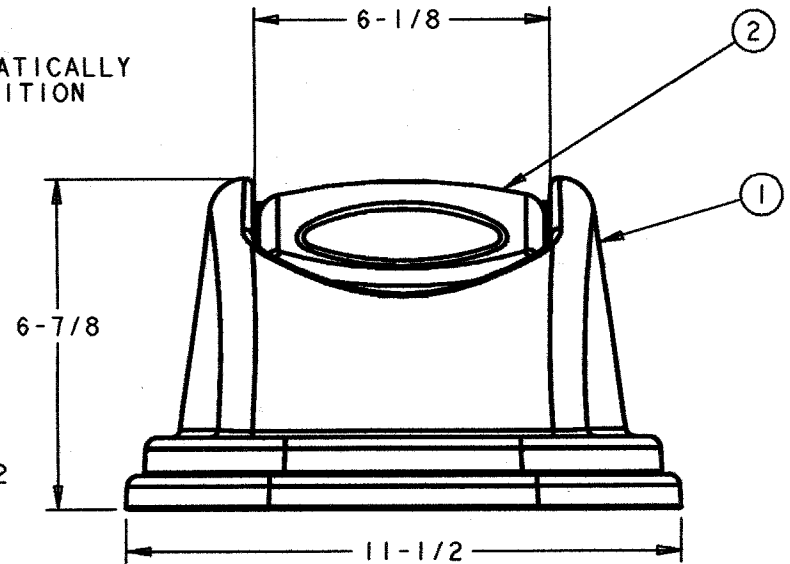
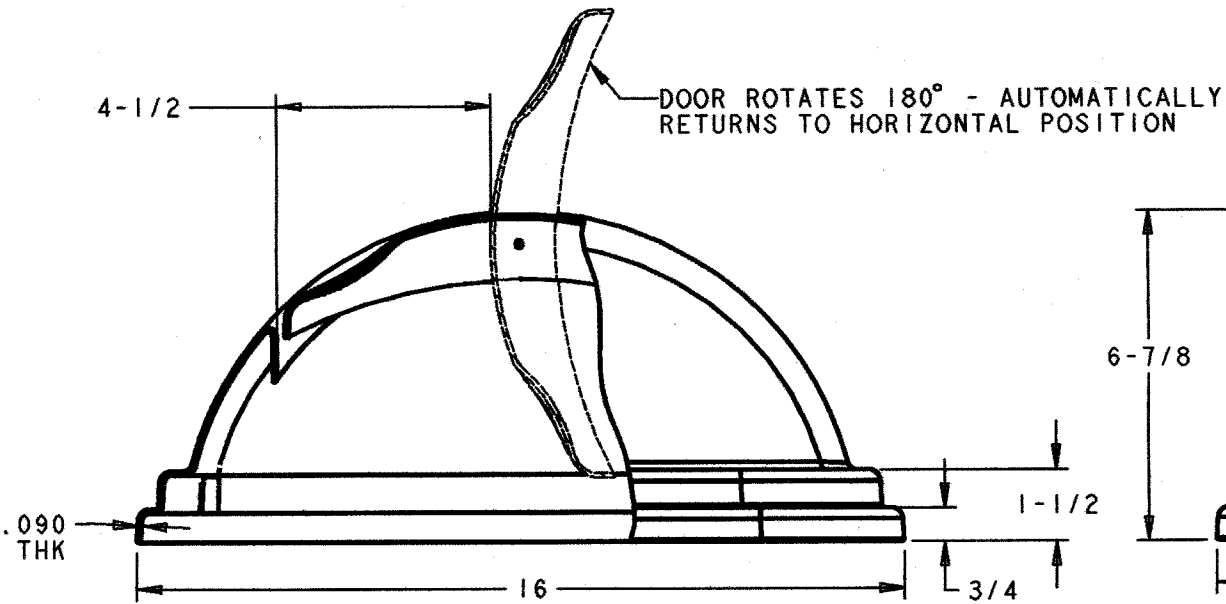



No.	Description/Materials
1	TOP - PP
2	DOOR - PP



total part wt. <u>1.2 LBS</u>	agency approvals _____	Product Specifications  RUBBERMAID COMMERCIAL PRODUCTS INC. product name <u>SOFT WASTEBASKET TOP</u> product no. <u>3067</u> revision <u>0</u>
capacity _____	miscellaneous <u>FITS 2957 WASTEBASKET</u>	

Product no. 3067