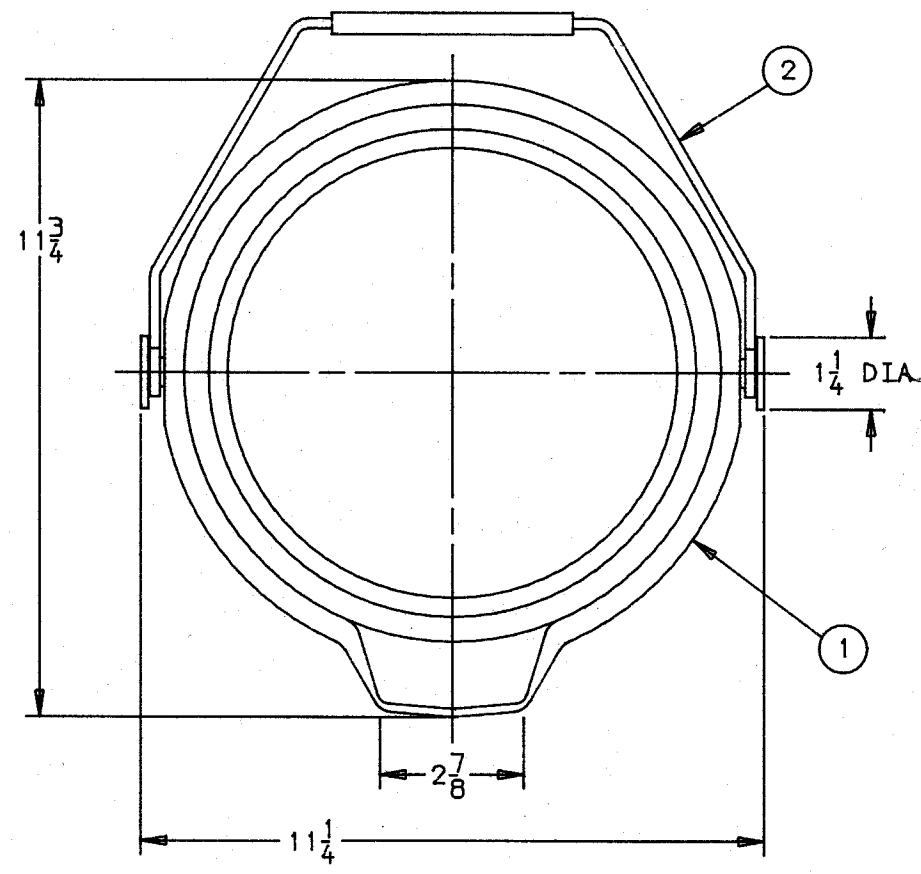
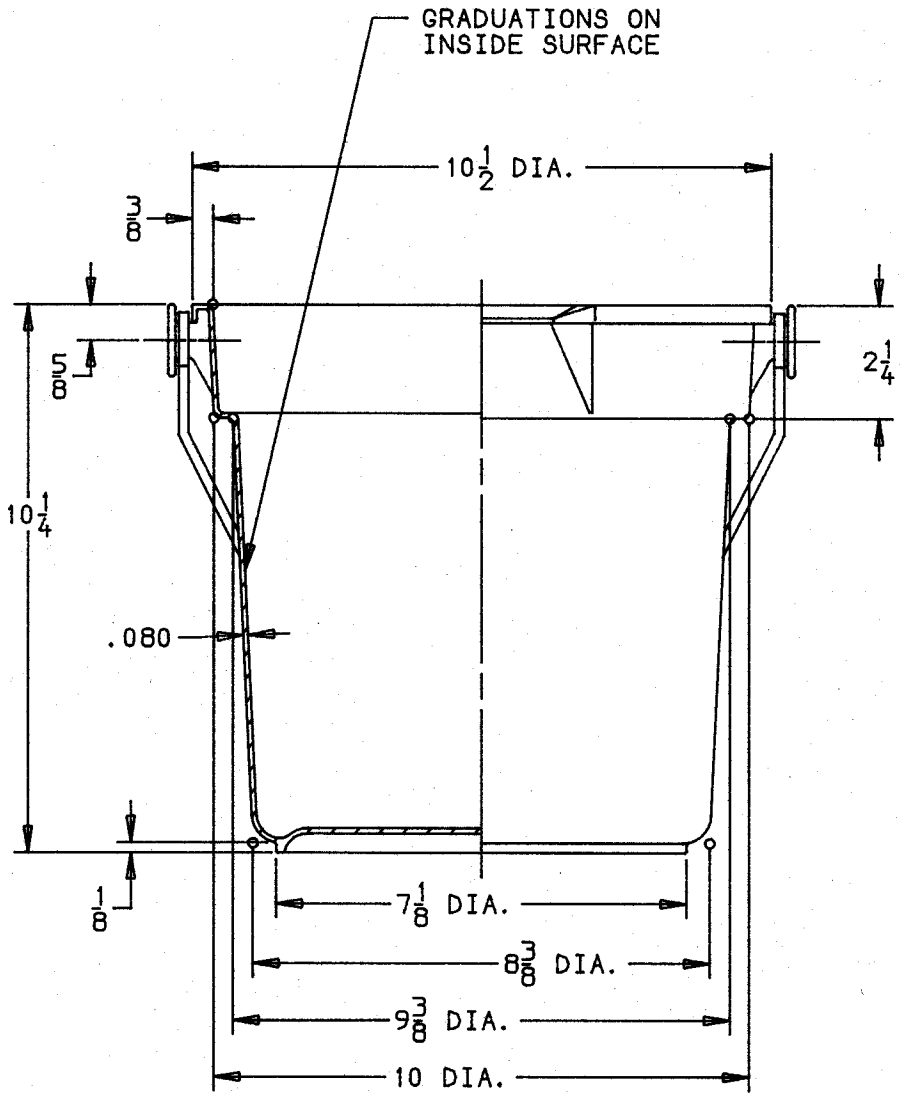


No.	Description/Materials
1	BUCKET-PE
2	BAIL-STL/PE



total part wt. 1.2 LBS.

capacity 10 QTS.

\_\_\_\_\_

\_\_\_\_\_


agency approvals \_\_\_\_\_

colors \_\_\_\_\_

miscellaneous GRADUATIONS IN INCREMENTS OF

PINTS, QUARTS & LITERS

**Product Specifications**

product name  RUBBERMAID COMMERCIAL PRODUCTS INC.

BRUTE BUCKET

product no. 2963 revision 3

product no. 2963