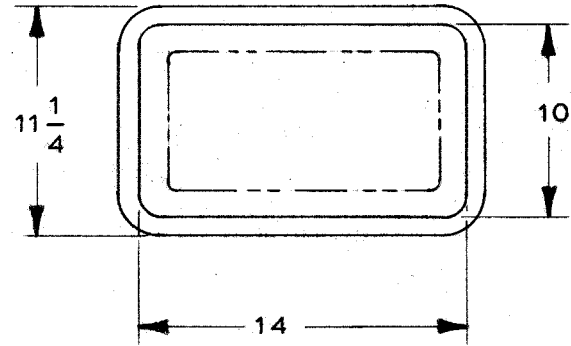
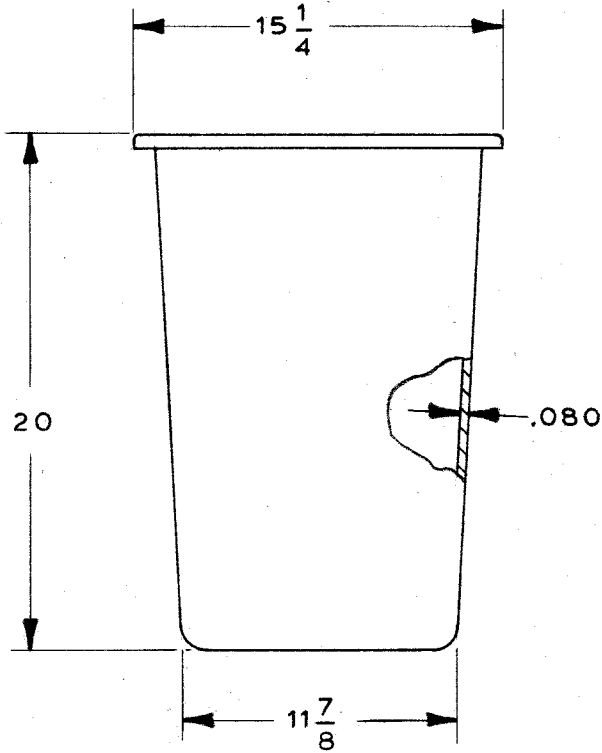


No.	Description/Materials
1	WASTEBASKET - PE



TOP VIEW

total part wt. 2.4 LB.

capacity _____

agency approvals _____

colors BLACK, GRAY, BEIGE, BROWN

miscellaneous _____

Product Specifications

product name



WASTEBASKET

product no. 2957

revision 4

product no. 2957