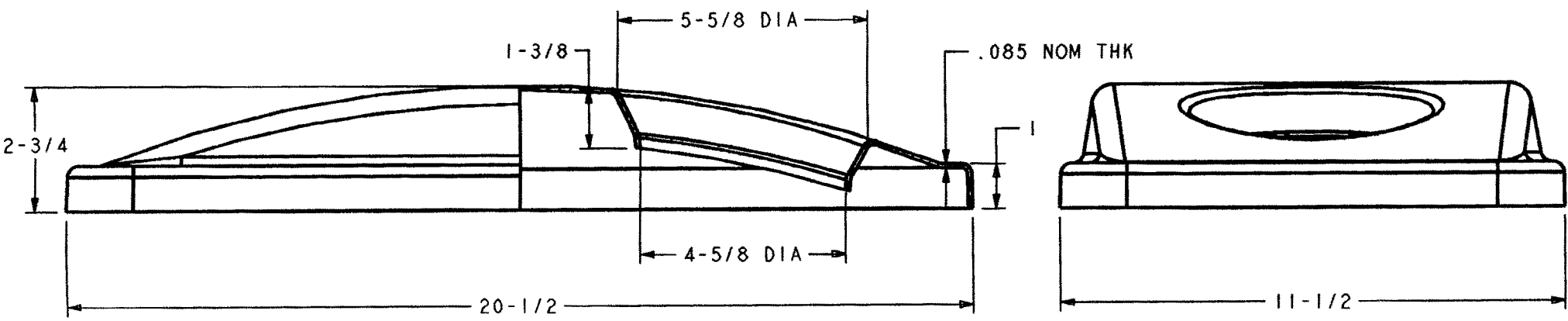


No.	Description/Materials
1	LID - HDPE



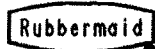
total part wt. .8 LB

capacity _____

agency approvals _____

miscellaneous FITS THE 3540 AND 3541 CONTAINERS

Product Specifications

 RUBBERMAID COMMERCIAL PRODUCTS INC.

product name 2-HOLE RECYCLE LID

product no. 2692-88 revision 2

product no. 2692-88