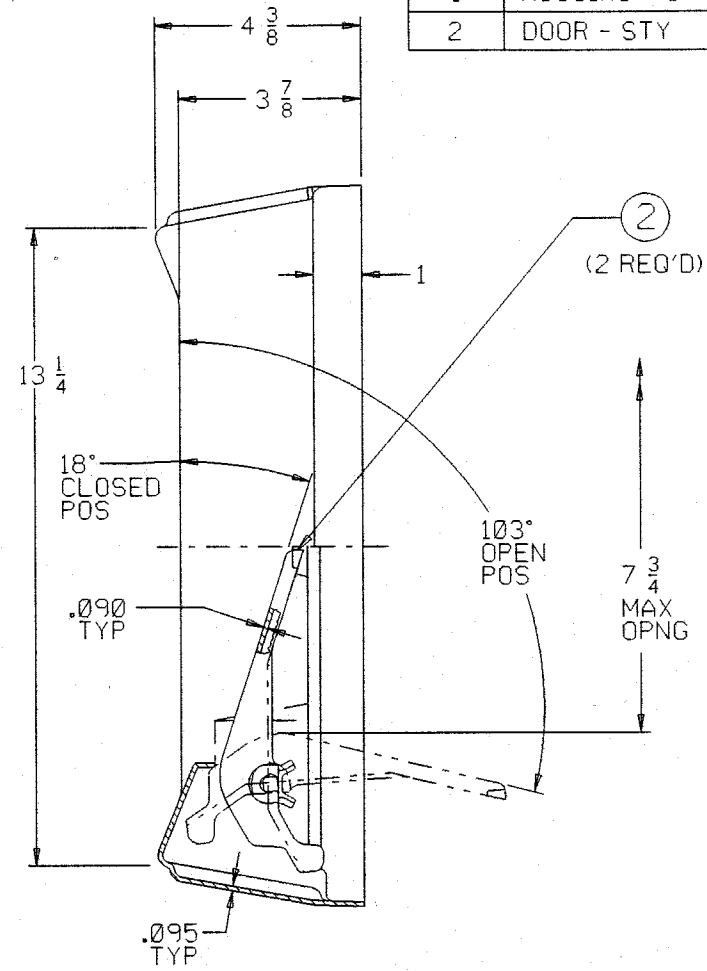
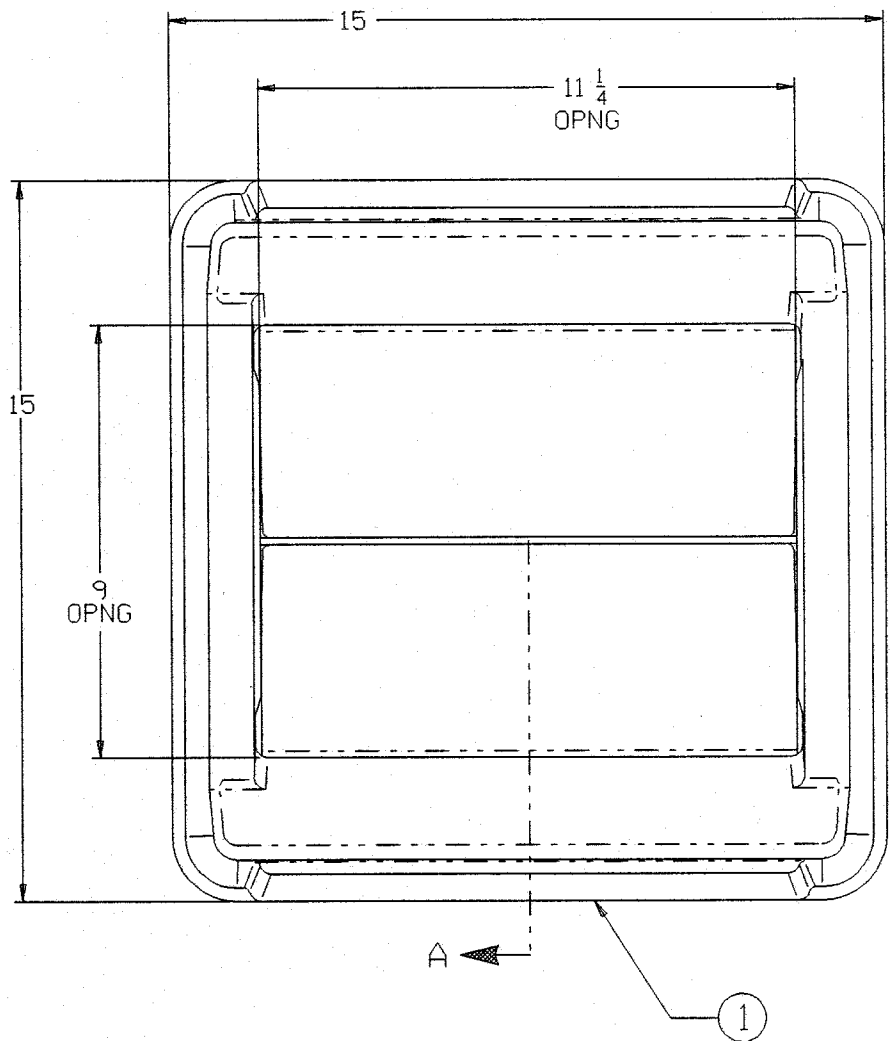


No.	Description/Materials
1	HOUSING - STY
2	DOOR - STY



HALF SECTION A

total part wt. 2.8 LBS

capacity _____

agency approvals _____

miscellaneous _____

FITS 19 GAL. SQ. LINER (PART No. 3568) AND

23 GAL. SQ. LINER (PART No. 3569)

Product Specifications

Rubbermaid RUBBERMAID COMMERCIAL PRODUCTS INC.

product name UNTOUCHABLE TOP

product no. 2689 revision 0

product no. 2689