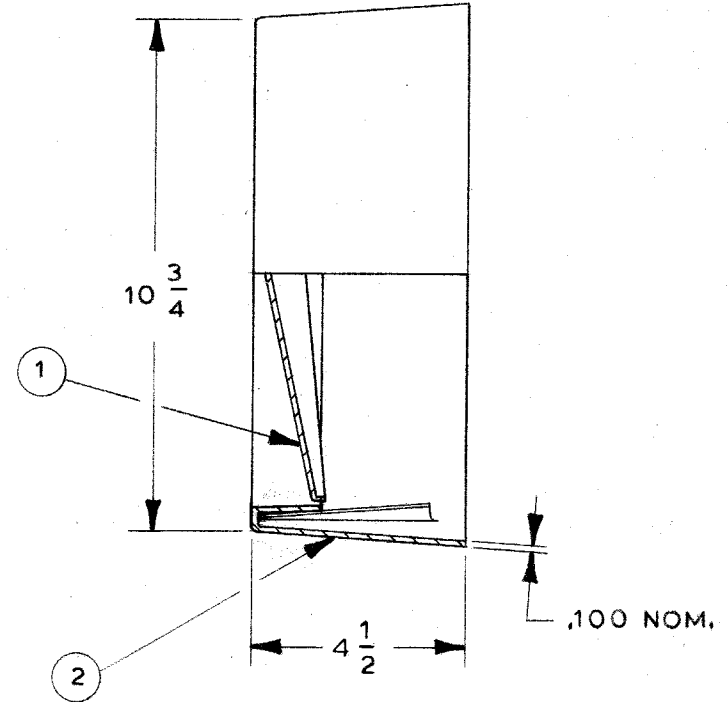
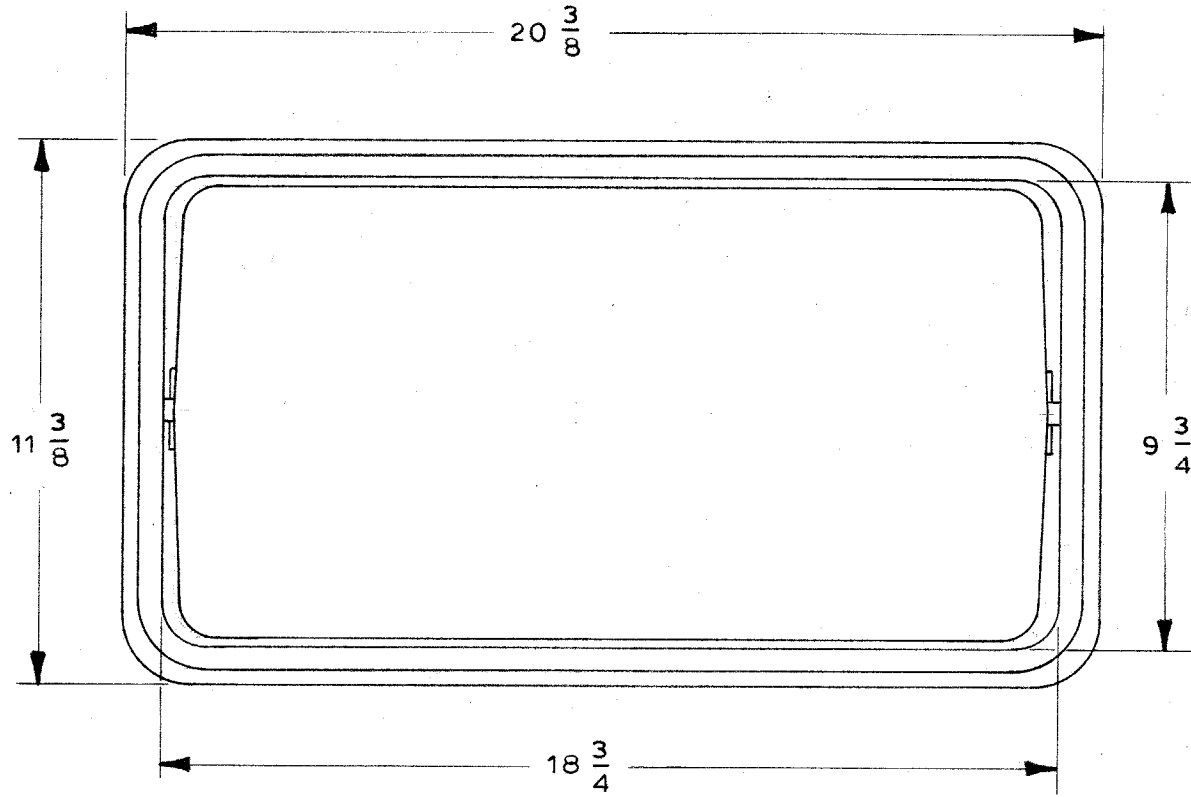



No.	Description/Materials
1	DOOR - STY
2	HOUSING - STY



total part wt. <u>2 LB.</u>	agency approvals _____	<h3 style="text-align: center;">Product Specifications</h3> <div style="text-align: right;">  <b>RUBBERMAID COMMERCIAL PRODUCTS INC.</b> </div>	
capacity _____	colors <u>BROWN, GRAY, ORANGE</u>		product name _____
_____	miscellaneous <u>FITS SLIM JIM CONT. P/N 3540</u>		<u>SLIM JIM TOP</u>
_____	_____		product no. <u>2673</u> revision <u>Q</u>

product no. 2673