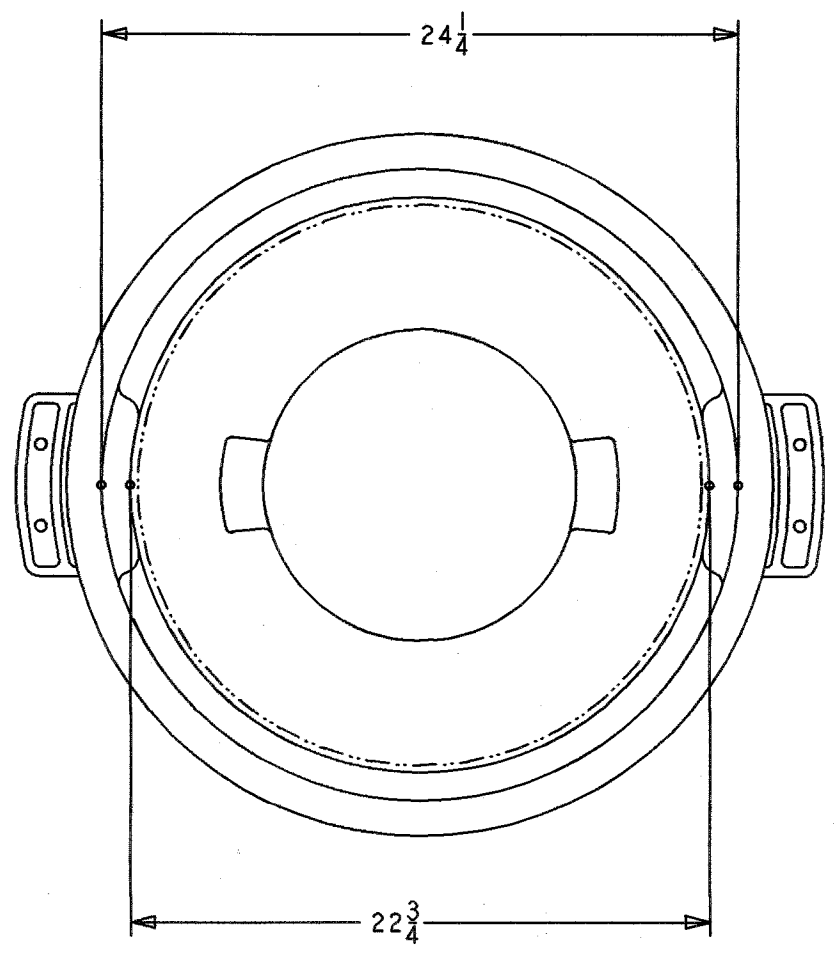
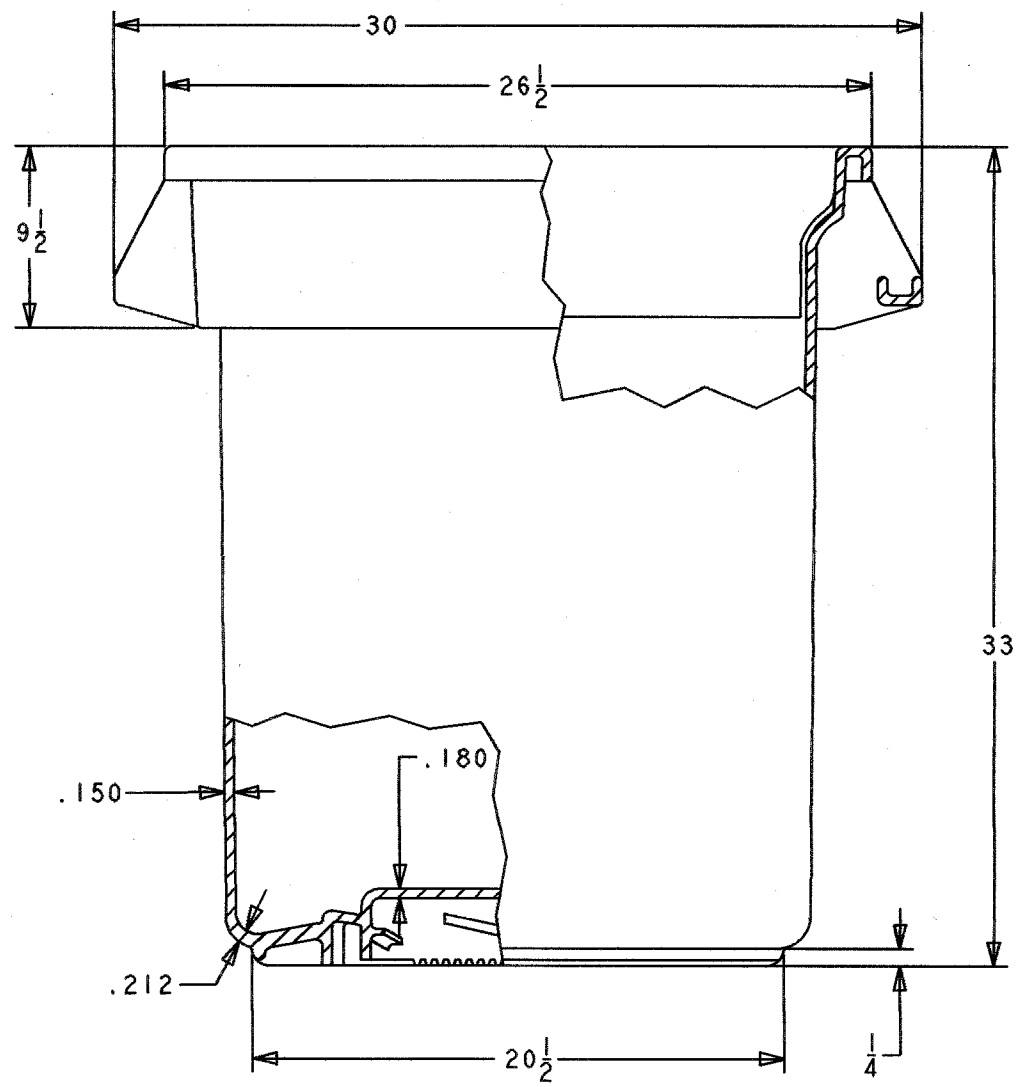



No.	Description/Materials
1	BRUTE CONT. - PE



TOP VIEW

total part wt. 15.4 LBS.
 capacity 55 GALS.

agency approvals NSF STD. #2 & #21,
USDA MEAT & POULTRY,
CSFM WHEN USED WITH 2657
 miscellaneous _____

Product Specifications
 RUBBERMAID COMMERCIAL PRODUCTS INC.
 product name BRUTE CONTAINER
 product no. 2655 revision 2

Product No. 2655