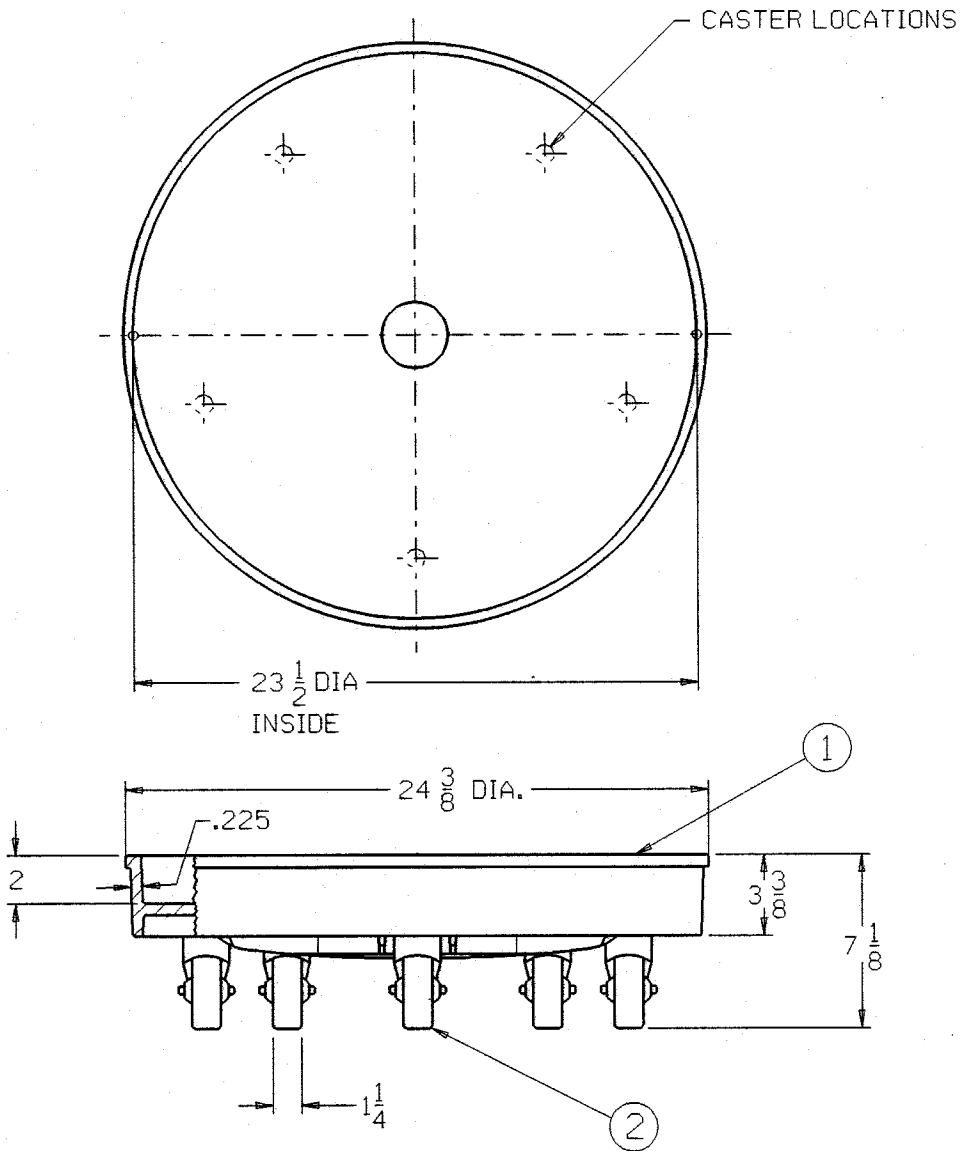


No.	Description/Materials
1	DOLLY - FOAMED PE
2	3" DIA. CSTR. - RBR/STL



total part wt. 17 LBS.

capacity 500 LBS.

agency approvals _____

miscellaneous _____

Product Specifications



product name UNIVERSAL DOLLY

product no. 2650 revision 2

product no. 2650