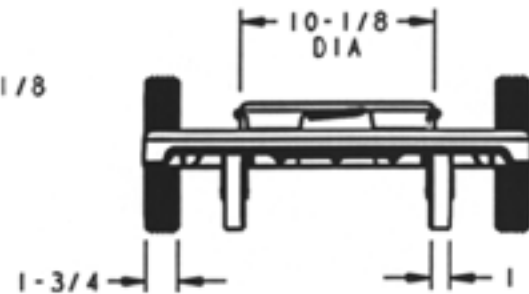
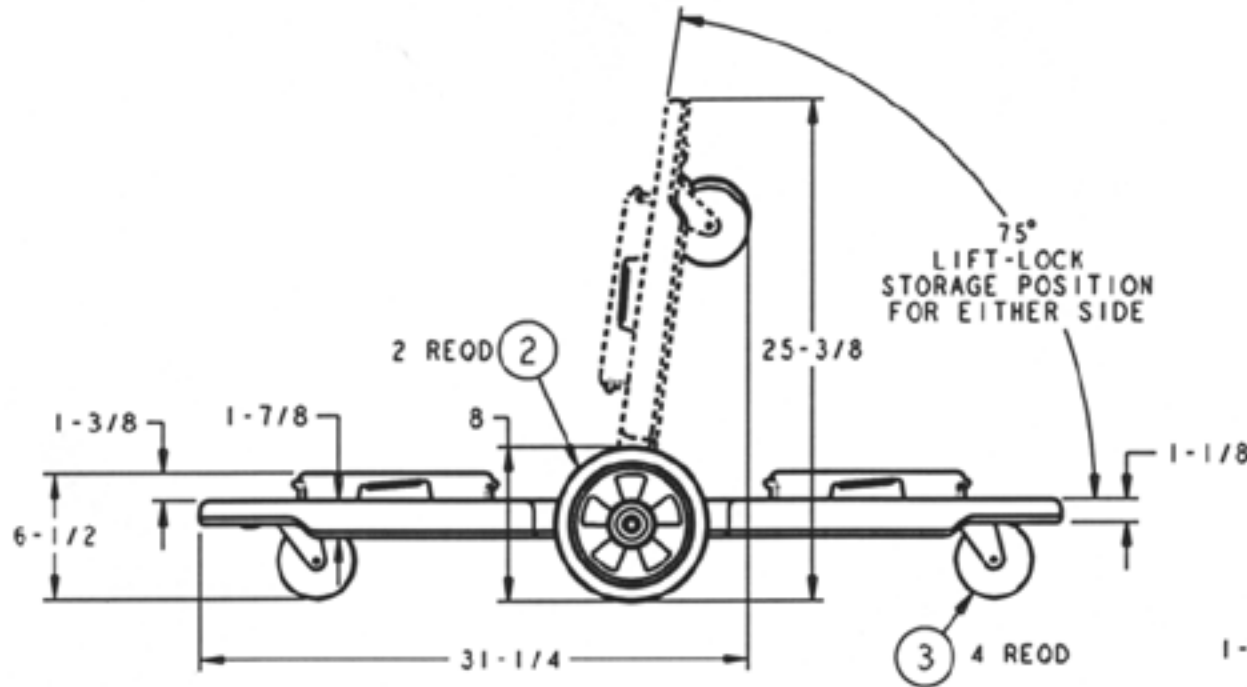


No.	Description/Materials
1	DOLLY - FOAMED PE
2	8" DIA. WHEEL - RBR/PE
3	4" DIA. SWVL CSTR-RBR/STL



total part wt.	16.3 LBS
capacity	400 LBS TOTAL (200 LBS MAX PER SIDE)

agency approvals	_____
miscellaneous	FITS 20, 32, 44 GAL
	BRUTE CONTAINERS

Product Specifications	
	Rubbermaid RUBBERMAID COMMERCIAL PRODUCTS INC.
product name	TANDEM DOLLY
product no.	2646 revision 0

Product No. 2646