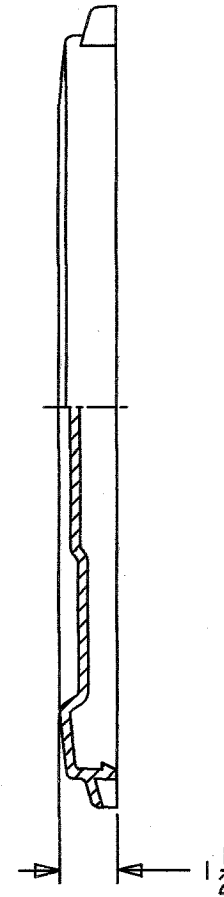
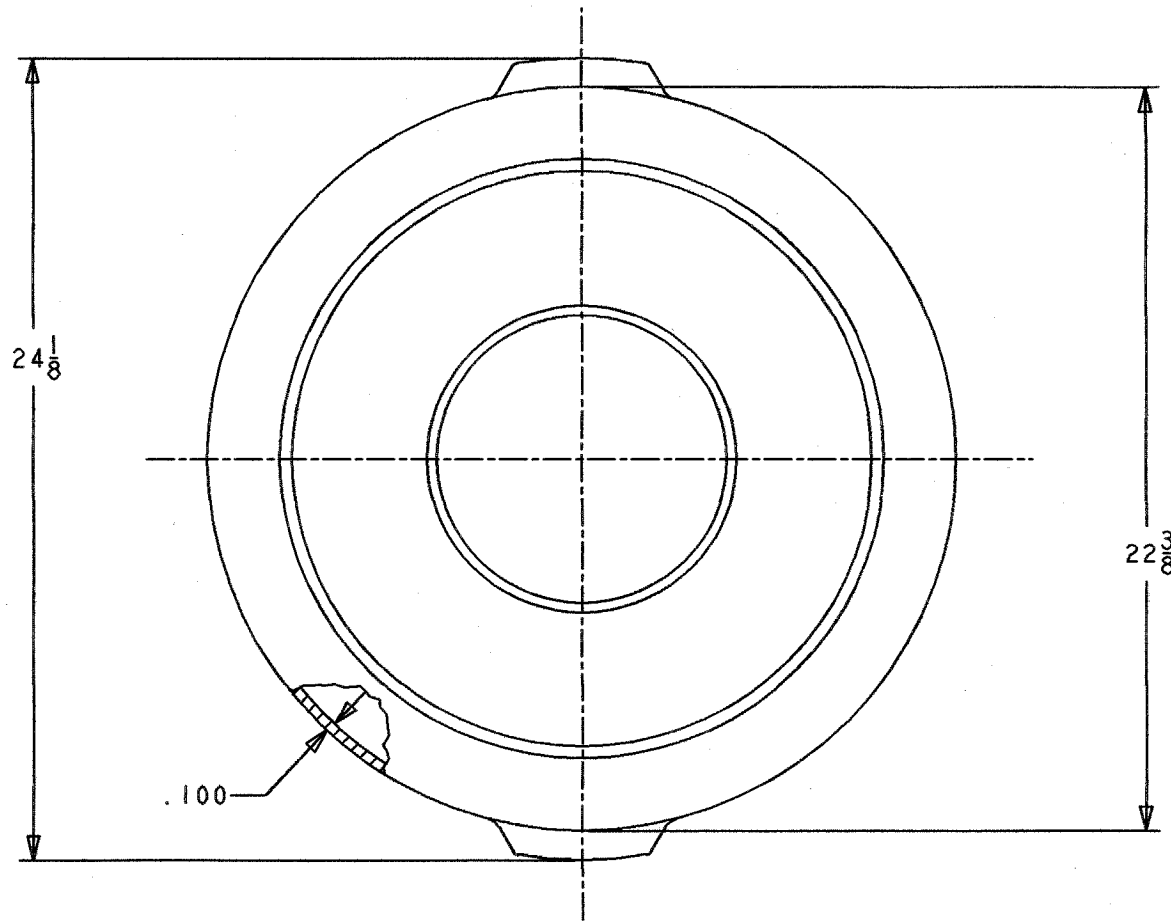


No.	Description/Materials
1	LID-PE



total part wt. 1.6 LBS.

capacity \_\_\_\_\_

agency approvals NSF STD. #2 & #21,  
USDA MEAT & POULTRY

miscellaneous \_\_\_\_\_

FITS 32 GAL. CONTAINER, P/N 2632

### Product Specifications



product name LID

product no. 2631 revision 6

Product No. 2631