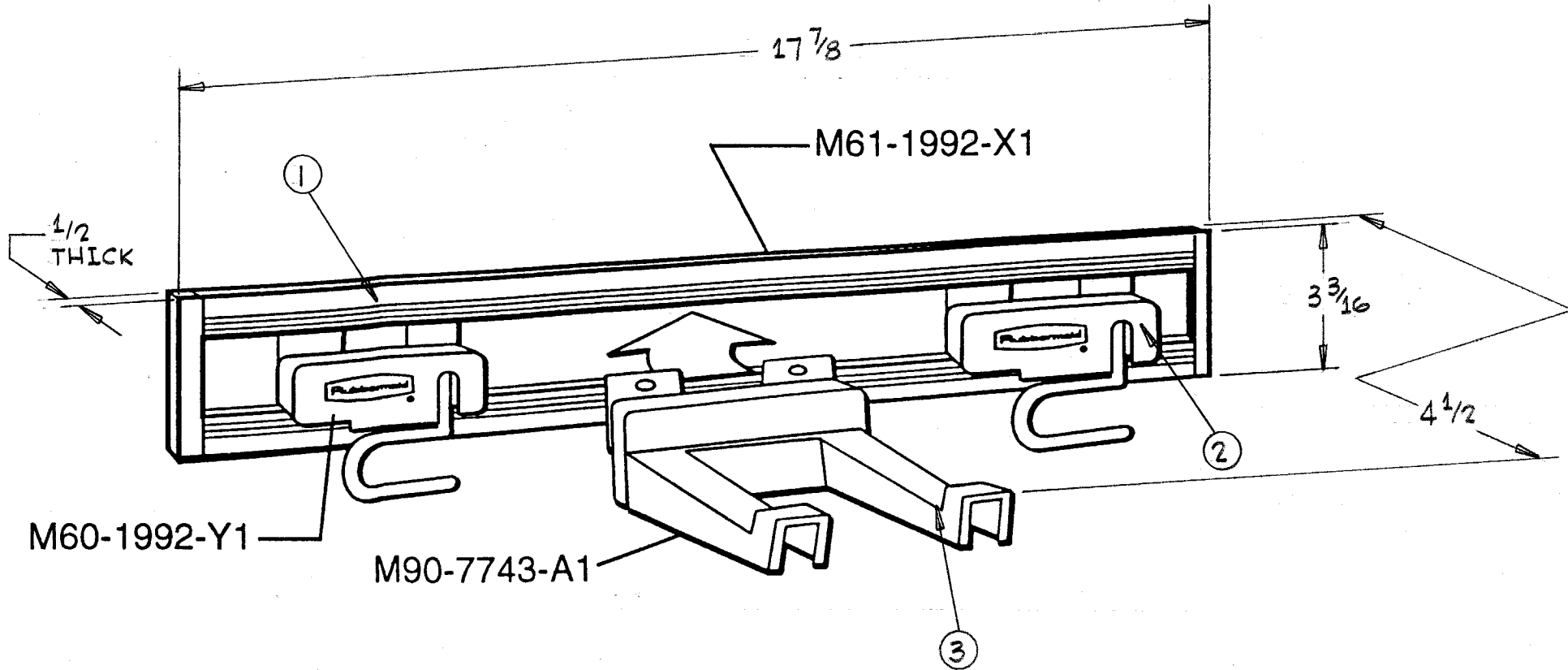


No.	Description/Materials
1	WALL STRIP / PVC & HIPS
2	HANDLE HOOK / FPP
3	DOUBLE HOOK / FPP



total part wt. 12 OZS.

capacity _____

agency approvals NONE

colors WALL STRIP-GREY/COMPONENTS-YELLOW

miscellaneous MOUNTING HARDWARE (FIVE)

#10x1 1/4" SCREWS) INCLUDED

Product Specifications



product name 18" WALL ORGANIZER

product no. 1992/1992-20 revision 0

product no. 1992-20

1992