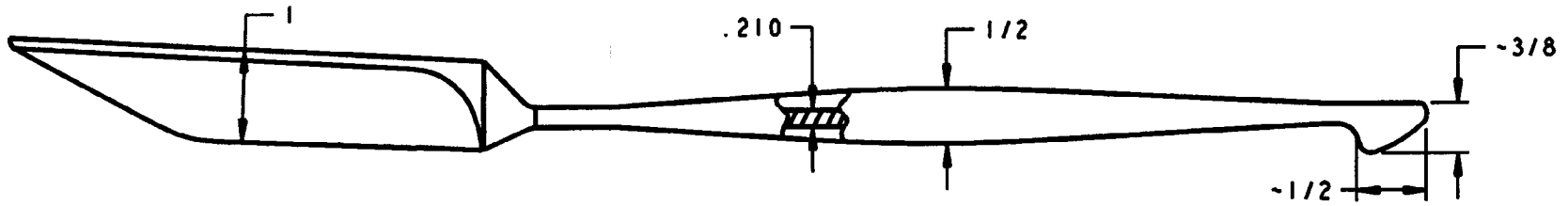
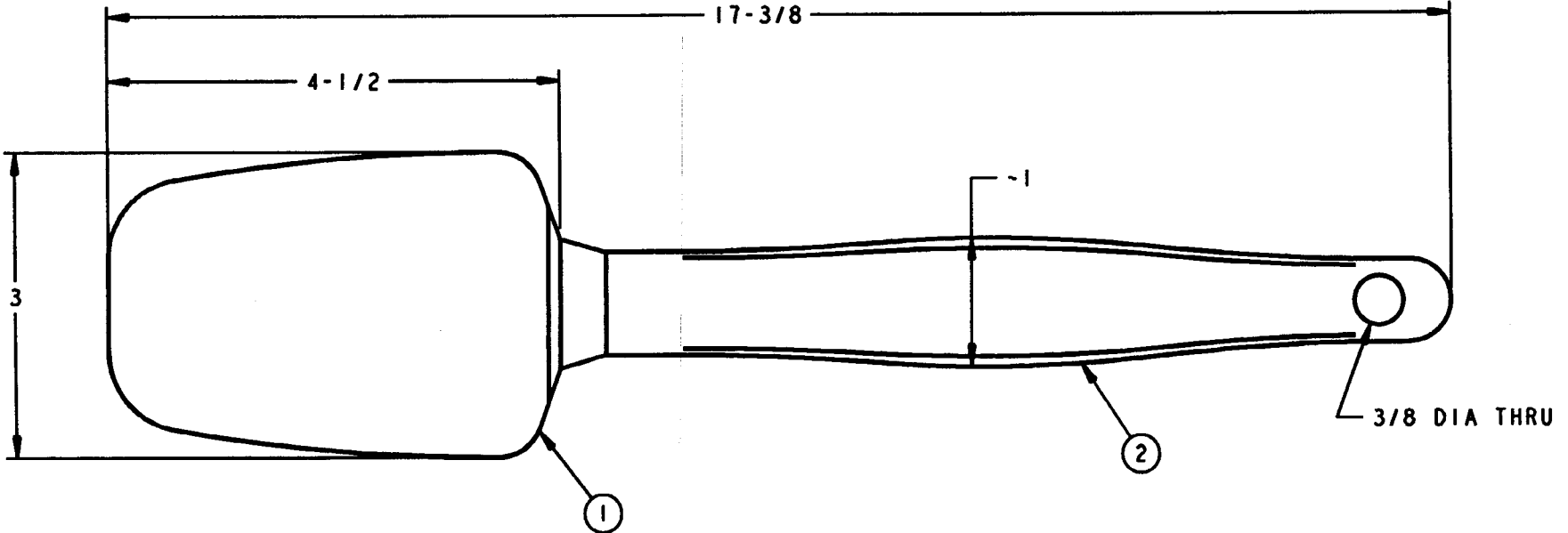


No.	Description/Materials
1	BLADE - SILICONE
2	HANDLE - NYLON



total part wt. 4.75 OZS.

capacity _____

agency approvals NSF

miscellaneous _____

Product Specifications

Rubbermaid RUBBERMAID COMMERCIAL PRODUCTS INC.

product name HIGH HEAT SPOON SCRAPER

product no. 1968 revision 0

Product No. 1968