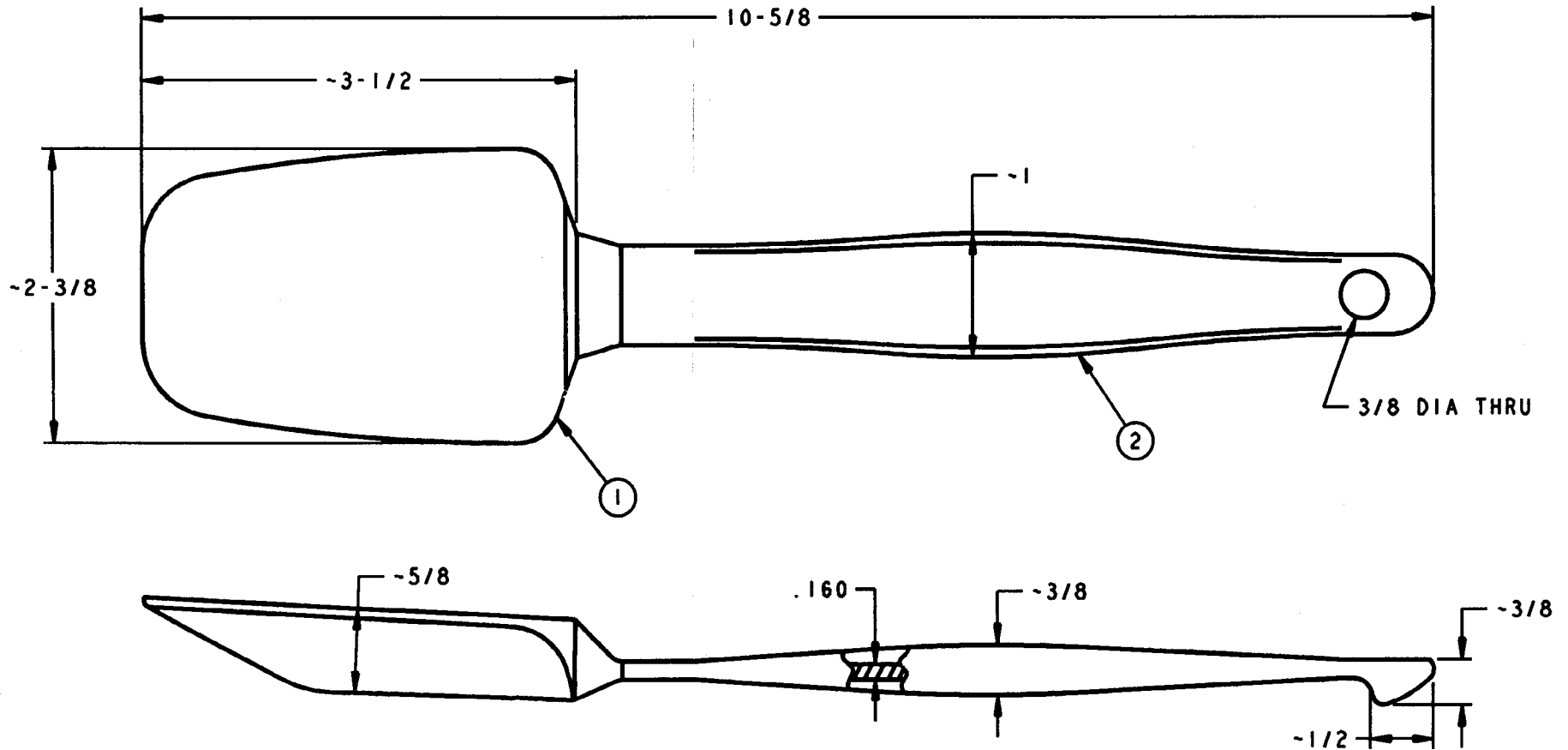



No.	Description/Materials
1	BLADE - SILICONE
2	HANDLE - NYLON



total part wt. <u>2 OZS.</u>	agency approvals <u>NSF</u>	Product Specifications  RUBBERMAID COMMERCIAL PRODUCTS INC. product name <u>HIGH HEAT SPOON SCRAPER</u> product no. <u>1966</u> revision <u>0</u>
capacity _____	miscellaneous _____	
_____	_____	<div style="display: flex; justify-content: space-between;"> product no. <u>1966</u> revision <u>0</u> </div>

product no. 1966